

Main

Range of product	Lexium Altivar
Product or component type	EMC input filter
Range compatibility	Altivar 32 Altivar Machine ATV320 Lexium 28 Lexium 32
Product compatibility	ATV32, 200...240 V, 0.18...0.75 kW LXM28A LXM32, single-phase, line current 2.9...5.4 A Variable speed drive ATV320...B at 0.18 kW, 200...240 V, single phase Variable speed drive ATV320...B at 0.37 kW, 200...240 V, single phase Variable speed drive ATV320...B at 0.55 kW, 200...240 V, single phase Variable speed drive ATV320...B at 0.75 kW, 200...240 V, single phase
Product specific application	Radio interference input filter
Mounting location	At variable speed drive side
Network number of phases	Single phase

Complementary

Maximum cable distance between devices	20 M conforming to IEC 61800-3 category C1 50 m conforming to IEC 61800-3 category C2
[In] rated current	10.1 A
Thermal losses	3.7 W
Network rated voltage	200...240 V
Tolerance	- 15...10 %
Net weight	0.6 kg
Emc filter compatibility	Type 020

Packing Units

Unit Type of Package 1	PCE
Number of Units in Package 1	1
Package 1 Weight	466 g
Package 1 Height	5 cm
Package 1 width	23.2 cm
Package 1 Length	18.2 cm
Unit Type of Package 2	S03
Number of Units in Package 2	11
Package 2 Weight	5.559 kg
Package 2 Height	30 cm
Package 2 width	30 cm
Package 2 Length	40 cm
Unit Type of Package 3	P06
Number of Units in Package 3	88
Package 3 Weight	55.828 kg
Package 3 Height	77 cm

Package 3 width	80 cm
Package 3 Length	60 cm

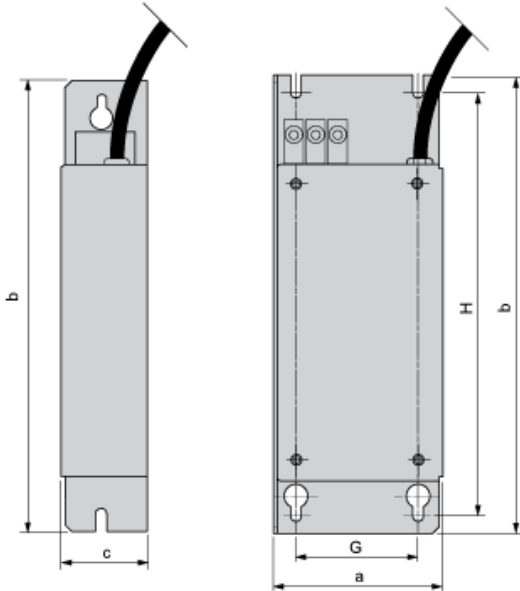
Offer Sustainability

REACH Regulation	REACH Declaration
REACH free of SVHC	Yes
EU RoHS Directive	Pro-active compliance (Product out of EU RoHS legal scope) EU RoHS Declaration
Toxic heavy metal free	Yes
Mercury free	Yes
RoHS exemption information	Yes
China RoHS Regulation	China RoHS Declaration

Contractual warranty

Warranty	18 months
----------	-----------

Additional EMC Input Filters



Dimensions in mm

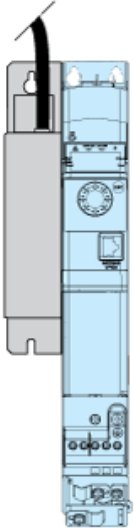
a	b	c	G	H	Ø
72	195	37	52	180	4.5

Dimensions in in.

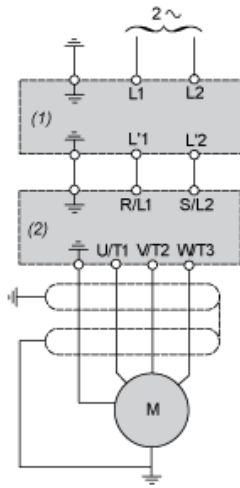
a	b	c	G	H	Ø
2.83	7.68	1.46	2.05	7.09	0.18

Mounting Recommendations

Mounting the Filter on the Side of the Drive



Recommended Schema



- (1) Filter
- (2) Drive