



Main

Range of product	Lexium Altivar
Product or component type	EMC input filter
Range compatibility	Altivar 32 Altivar Machine ATV320
Product compatibility	ATV32, 380...500 V, 11...15 kW Variable speed drive ATV320 at 11 kW, 380...500 V, three phase Variable speed drive ATV320 at 15 kW, 380...500 V, three phase
Product specific application	Radio interference input filter
Mounting location	Below variable speed drive
Network number of phases	Three phase

Complementary

Maximum cable distance between devices	20 M conforming to IEC 61800-3 category C1 100 M conforming to IEC 61800-3 category C2 150 m conforming to IEC 61800-3 category C3
[In] rated current	49 A
Thermal losses	27.4 W
Network rated voltage	380...500 V
Tolerance	- 15...10 %
Net weight	4.75 kg
Emc filter compatibility	Type 025

Packing Units

Unit Type of Package 1	PCE
Number of Units in Package 1	1
Package 1 Weight	4.28 kg
Package 1 Height	9 cm
Package 1 width	47.4 cm
Package 1 Length	38 cm
Unit Type of Package 2	P06
Number of Units in Package 2	8
Package 2 Weight	47.1 kg
Package 2 Height	80 cm
Package 2 width	80 cm
Package 2 Length	60 cm

Offer Sustainability

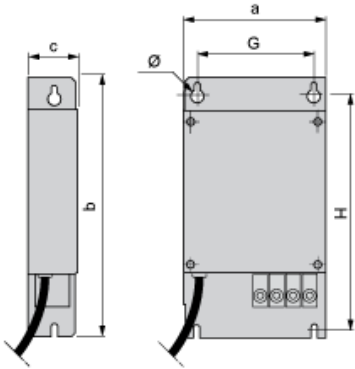
REACH Regulation	REACH Declaration
REACH free of SVHC	Yes
EU RoHS Directive	Pro-active compliance (Product out of EU RoHS legal scope) EU RoHS Declaration
Toxic heavy metal free	Yes
Mercury free	Yes

RoHS exemption information	Yes
China RoHS Regulation	China RoHS Declaration

Contractual warranty

Warranty	18 months
----------	-----------

Additional EMC Input Filters



Dimensions in mm

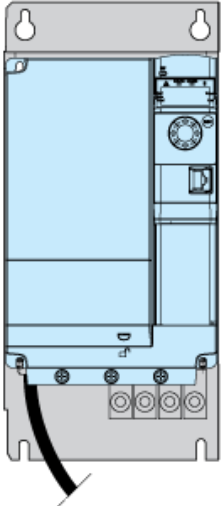
a	b	c	G	H	Ø
245	395	60	205	375	5.5

Dimensions in in.

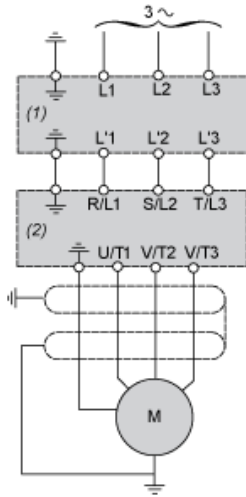
a	b	c	G	H	Ø
9.65	15.55	2.36	8.07	14.76	0.22

Mounting Recommendations

Mounting the Filter behind the Drive



Recommended Schema



- (1) Filter
- (2) Drive