



### Main

Range of product	Harmony 9001K
Product or component type	Pilot light
Device short name	9001K

### Complementary

Bezel material	Metal
Mounting diameter	30 mm
Shape of signaling unit head	Round
Lens type	Domed plastic
Cap/operator or lens colour	Amber
Light source	incandescent
Bulb base	BA 9s
Light block supply	Via integral transformer 220...240 V AC 50/60 Hz 6 V)
Connections - terminals	Screw clamp terminals, 1 x 0.22...2 x 1.5 mm <sup>2</sup> conforming to IEC 60947-1
Tightening torque	0.8 N.m conforming to IEC 60947-1
Shape of screw head	Cross slotted
Shape of screw head	Cross slotted
Operating position	Any position
[Ui] rated insulation voltage	250 V (pollution degree 2) conforming to IEC 60947-1
[Uimp] rated impulse withstand voltage	2.5 kV conforming to IEC 60947-1
Short-circuit protection	10 A cartridge fuse conforming to IEC 60947-5-1
Light source	Incandescent bulb
[Ith] conventional free air thermal current	10 A
CAD overall width	54 mm
CAD overall height	70 mm
CAD overall depth	42 mm
[Us] rated supply voltage	220...240 V AC
Net weight	0.21 kg
Device presentation	Complete product
Lens type	Domed
[Us] rated supply voltage	220...240 V
Light block supply	Via integral transformer
Supply frequency	50...60 Hz
Lens material	Polycarbonate
Size	30 mm

## Environment

Standards	EN/IEC 60947-1 CSA C22.2 No 14 EN/IEC 60947-5-1 JIS C 852 UL 508 JIS C8201-5-1 EN/IEC 60947-5-4 JIS C8201-1
Product certifications	UL 508[RETURN]NEMA
Protective treatment	TC
Ambient air temperature for storage	-40...70 °C
Ambient air temperature for operation	-25...70 °C
Vibration resistance	7 gn (f= 2...500 Hz) conforming to IEC 60068-2-6
Shock resistance	50 gn conforming to IEC 60068-2-27
Overvoltage category	Class II conforming to IEC 61140
IP degree of protection	IP66 conforming to IEC 60529
NEMA degree of protection	NEMA 1 NEMA 12 NEMA 13 NEMA 2 NEMA 3 NEMA 3R NEMA 4 NEMA 6

## Packing Units

Unit Type of Package 1	PCE
Number of Units in Package 1	1
Package 1 Height	4.9 cm
Package 1 Width	5.9 cm
Package 1 Length	9.401 cm
Package 1 Weight	224.265 g

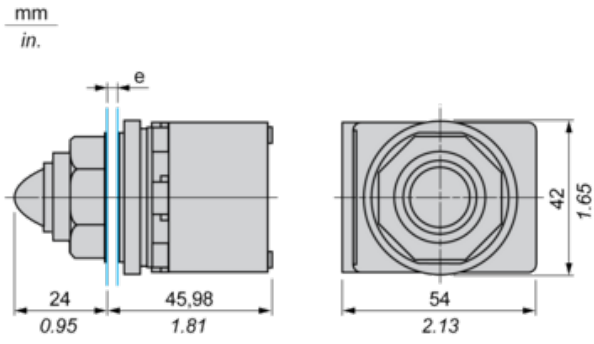
## Offer Sustainability

REACH Regulation	<a href="#">REACH Declaration</a>
EU RoHS Directive	Pro-active compliance (Product out of EU RoHS legal scope)
Mercury free	Yes
China RoHS Regulation	<a href="#">China RoHS Declaration</a>
RoHS exemption information	<a href="#">Yes</a>
WEEE	The product must be disposed on European Union markets following specific waste collection and never end up in rubbish bins

## Contractual warranty

Warranty	18 months
----------	-----------

Dimensions



e panel thickness: 1 to 6 mm / 0.04 to 0.24 in.