



Main

Range of product	Modicon Power Supply
Product or component type	Power supply
Power supply type	Regulated switch mode
Variant option	Optimized
Enclosure material	Metal
Nominal input voltage	100...240 V AC single phase 100...240 V AC phase to phase 140...375 V DC
Rated power in W	240 W
Output voltage	48 V DC
Power supply output current	10 A

Complementary

Input voltage limits	85...264 V AC 120...375 V DC
Nominal network frequency	50...60 Hz
Network system compatibility	TN TT IT
Maximum leakage current	1 mA 240 V AC
Input protection type	Integrated fuse (not interchangeable) 10 A External protection (recommended) 20 A External protection (recommended) 16 A External protection (recommended) 13 A
Inrush current	45 A at 115 V 90 A at 230 V
Power factor	0.95 at 115 V AC 0.95 at 230 V AC
Efficiency	85 % at 115 V AC 88 % at 230 V AC
Output voltage adjustment	44...54 V
Power dissipation in W	45 W
Current consumption	< 5.4 A 115 V AC < 2.7 A 230 V AC < 5 A 140 V DC
Turn-on time	< 1 s
Holding time	> 20 ms 115 V AC > 20 ms 230 V AC
Startup with capacitive loads	8000 µF
Residual ripple	200 mV
Meantime between failure [MTBF]	At 25 °C, full load conforming to SR 332
Output protection type	Against overload and short-circuits, protection technology: automatic reset Against over temperature, protection technology: manual reset Against overvoltage, protection technology: manual reset

The information provided in this documentation contains general descriptions and/or technical characteristics of the performance of the products contained herein. This documentation is not intended as a substitute for and is not to be used for determining suitability or reliability of these products for specific user applications. It is the duty of any such user or integrator to perform the appropriate and complete risk analysis, evaluation and testing of the products with respect to the relevant specific application or use thereof. Neither Schneider Electric Industries SAS nor any of its affiliates or subsidiaries shall be responsible or liable for misuse of the information contained herein.

Connections - terminals	Screw connection: 0.5...4 mm ² , (AWG 20...AWG 12) without wire end ferrule for output Screw connection: 0.5...2.5 mm ² , (AWG 20...AWG 14) with wire end ferrule for output Screw connection: 0.75...4 mm ² , (AWG 18...AWG 12) without wire end ferrule for input Screw connection: 0.75...4 mm ² , (AWG 18...AWG 12) with wire end ferrule for input
Line and load regulation	< 1.5 % at 0 to 100 % load at 25 °C < 0.5 % at full voltage range in line at 25 °C
Status LED	1 LED (green) output voltage
Depth	128.5 mm
Height	123.6 mm
Width	85.5 mm
Net weight	1.25 kg
Output coupling	Single/parallel by switch
Marking	CE UKCA
Mounting support	Top hat type TH35-15 rail conforming to IEC 60715 Top hat type TH35-7.5 rail conforming to IEC 60715 Double-profile DIN rail
Supply	SELV conforming to EN/IEC 60950-1 SELV conforming to EN/IEC 60204-1 SELV conforming to IEC 60364-4-41
Dielectric strength	3000 V AC with input to output 2000 V AC with input to ground 1500 V AC with output to ground
Service life	10 year(s) 40 °C 50 % load
Overvoltage category	II

Environment

Standards	EN 62368-1 EN/IEC 61204-3 EN 61000-6-1 EN 61000-6-2 EN 61000-6-3 EN 61000-6-4 EN 61000-3-2 EN 61000-3-3 UL 62368-1 CSA C22.2 No 62368-1 CSA C22.2 No 107.1 EN/IEC 62368-1
Product certifications	CE[RETURN]CUL listed[RETURN]CUL recognized[RETURN]RCM[RETURN]CB Scheme[RETURN]EAC[RETURN]KC[RETURN]UKCA[RETURN]CURus
Operating altitude	< 5000 m overvoltage category II
Shock resistance	150 m/s ² for 11 ms
IP degree of protection	IP20
Ambient air temperature for operation	40...70 °C with current derating of 1.67 % per °C mounting position A 115 V AC < 2000 m 50...70 °C with current derating of 2.5 % per °C mounting position A 230 V AC < 2000 m
Electrical shock protection class	Class I
Pollution degree	2
Vibration resistance	3 mm (f= 2...9 Hz) conforming to IEC 60068-2-6 10 m/s ² (f= 9...200 Hz) conforming to IEC 60068-2-6

Electromagnetic immunity	<p>Immunity to electrostatic discharge - test level: 8 kV (contact discharge) conforming to EN/IEC 61000-4-2</p> <p>Immunity to electrostatic discharge - test level: 15 kV (air discharge) conforming to EN/IEC 61000-4-2</p> <p>Immunity to conducted RF disturbances - test level: 15 V/m (80 MHz...2 GHz) conforming to EN/IEC 61000-4-3</p> <p>Immunity to conducted RF disturbances - test level: 5 V/m (2...2.7 GHz) conforming to EN/IEC 61000-4-3</p> <p>Immunity to conducted RF disturbances - test level: 5 V/m (2.7...6 GHz) conforming to EN/IEC 61000-4-3</p> <p>Immunity to fast transients - test level: 4 kV (on input-output) conforming to EN/IEC 61000-4-4</p> <p>Surge immunity test - test level: 4 kV (between power supply and earth) conforming to EN/IEC 61000-4-5</p> <p>Surge immunity test - test level: 3 kV (between phases) conforming to EN/IEC 61000-4-5</p> <p>Immunity to conducted RF disturbances - test level: 15 V (0.15...80 MHz) conforming to EN/IEC 61000-4-6</p> <p>Immunity to magnetic fields - test level: 30 A/m (50...60 Hz) conforming to EN/IEC 61000-4-8</p> <p>Immunity to voltage dips conforming to EN/IEC 61000-4-11</p> <p>Disturbing field emission conforming to EN 55016-2-3</p> <p>Limits for harmonic current emissions conforming to EN 61000-3-2</p> <p>Conforming to EN 55016-1-2</p> <p>Conforming to EN 55016-2-1</p>
Electromagnetic emission	<p>Conducted emissions conforming to EN 61000-6-3</p> <p>Radiated emissions conforming to EN 61000-6-4</p>

Packing Units

Unit Type of Package 1	PCE
Number of Units in Package 1	1
Package 1 Height	9.7 cm
Package 1 Width	17.3 cm
Package 1 Length	17.9 cm
Package 1 Weight	1.416 kg
Unit Type of Package 2	S03
Number of Units in Package 2	7
Package 2 Height	30.0 cm
Package 2 Width	30.0 cm
Package 2 Length	40.0 cm
Package 2 Weight	10.5 kg

Offer Sustainability

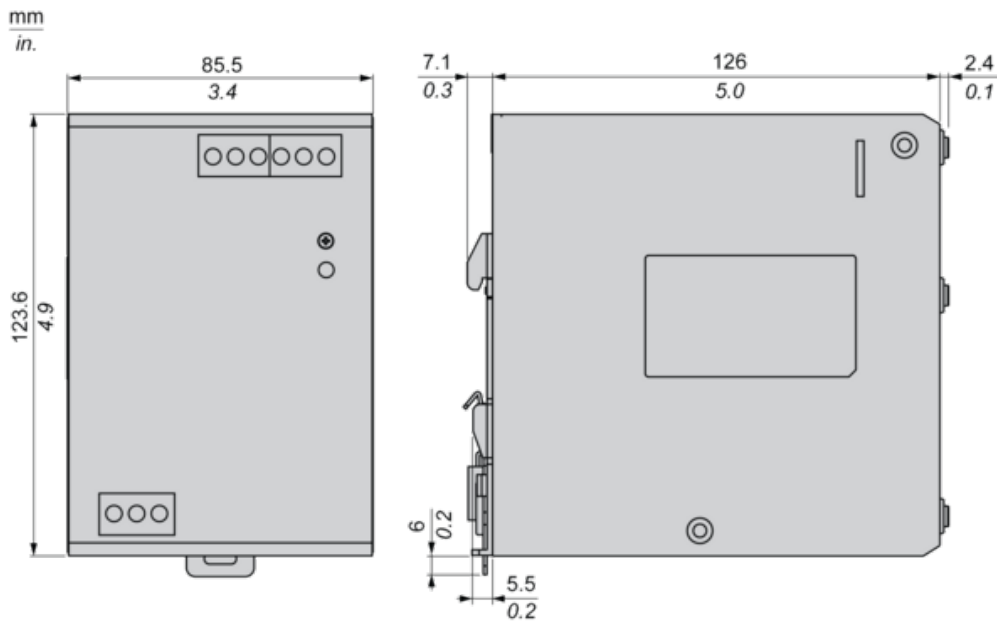
Sustainable offer status	Green Premium product
REACH Regulation	REACH Declaration
EU RoHS Directive	Pro-active compliance (Product out of EU RoHS legal scope)
Mercury free	Yes
China RoHS Regulation	China RoHS Declaration
RoHS exemption information	Yes
Environmental Disclosure	Product Environmental Profile
Circularity Profile	End Of Life Information
WEEE	The product must be disposed on European Union markets following specific waste collection and never end up in rubbish bins

Electrical Safety

- If the unit is used in a manner not specified by the manufacturer, the protection provided by the equipment may be impaired.
- For means of disconnection a switch or circuit breaker, located near the product, must be included in the installation. A marking as disconnecting device for the product is required.
- The device has an internal fuse. The unit is tested and approved with branch circuit protective device up to 20A. This circuit breaker can be used as disconnecting device.
- The power supply is only suitable for audio, video, information, communication, industrial and control equipment.

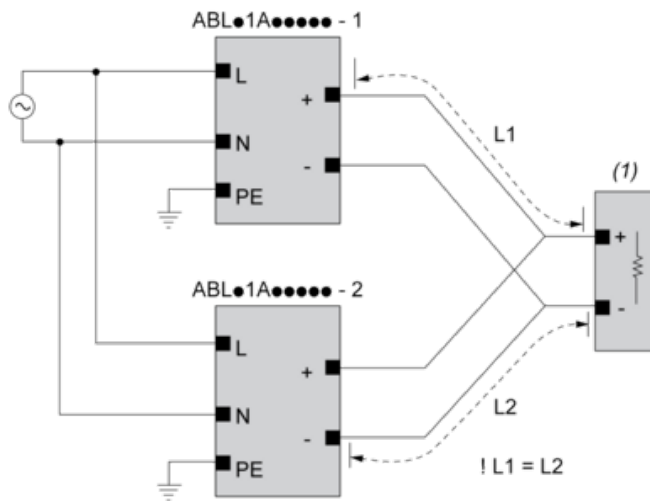
Dimensions

Front and Side Views



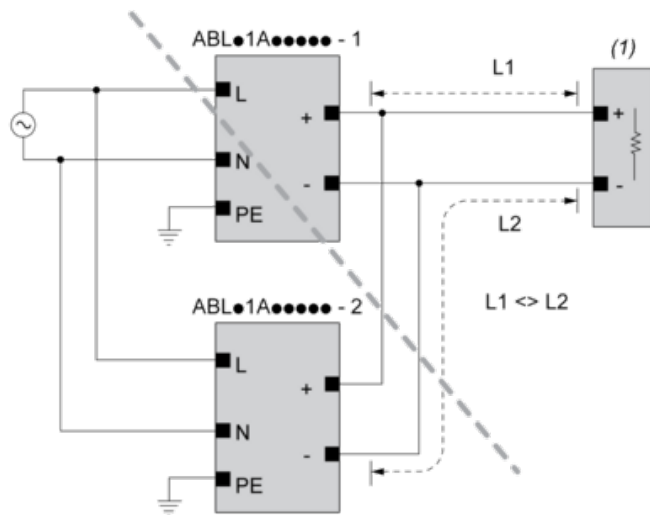
Connections and Schema

Correct Parallel Connection



(1) : Load

Incorrect Parallel Connection



(1) : Load

$ABLx1Axxxxx-1 = ABLx1Axxxxx-2$

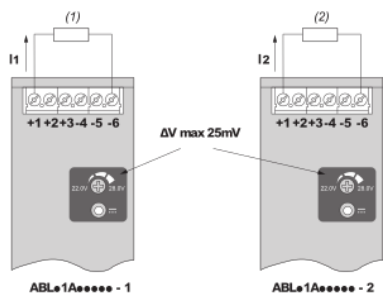
max 2 x ABLx1Axxxxx

$L1 = L2$

ΔV max 25 mV

$I_{Load} < 90\% \cdot 2 \cdot I_{nom}$

Output Voltage Balancing



(1) : R_{Load1}

(2) : R_{Load2}

$R_{Load1} = R_{Load2}$

$I_1 = I_2 = \sim I_{nom}$

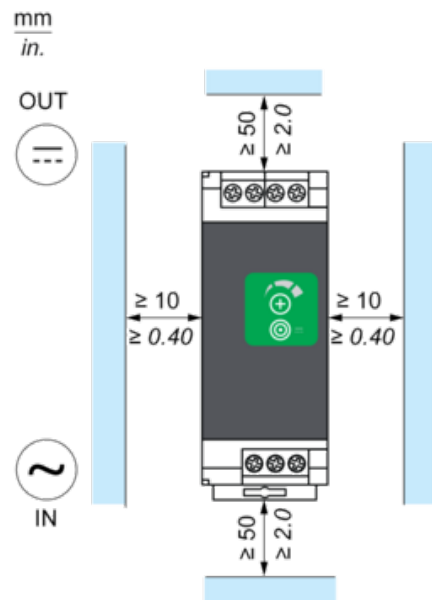
Connections and Schema

	(1)		
	<40°C	<50°C	<70°C
ABLS1A24021	50°C	60°C	75°C
ABLS1A24038	50°C	60°C	75°C
ABLS1A12062	50°C	60°C	80°C
ABLS1A24031	50°C	60°C	80°C
ABLS1A12100	60°C	70°C	90°C
ABLS1A24050	60°C	70°C	90°C
ABLS1A48025	60°C	70°C	90°C
ABLS1A24100	60°C	70°C	90°C
ABLS1A24200	95°C	95°C	90°C

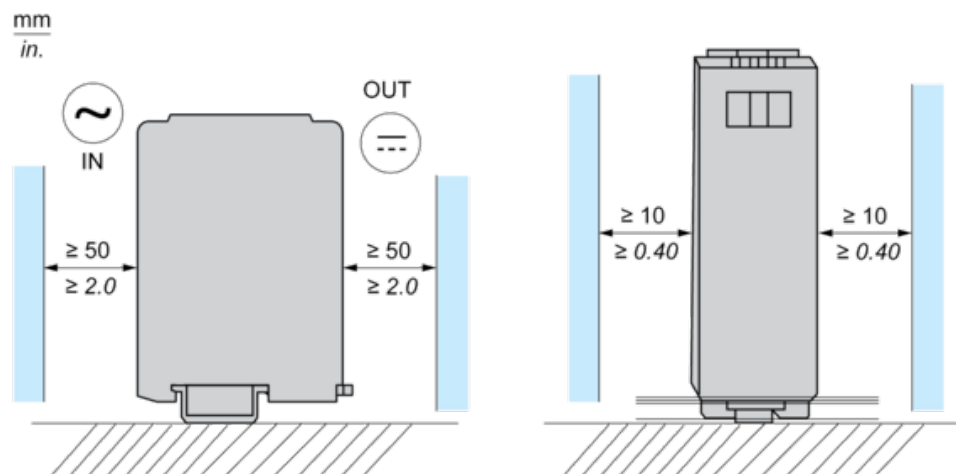
(1) : Ambient

Mounting

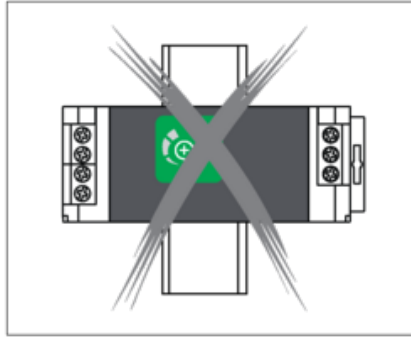
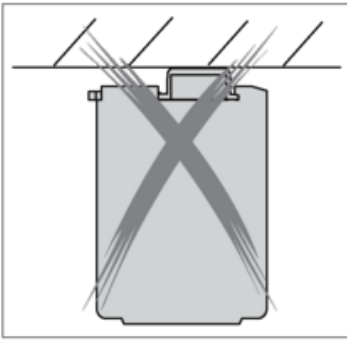
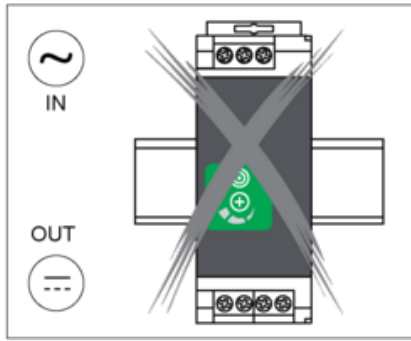
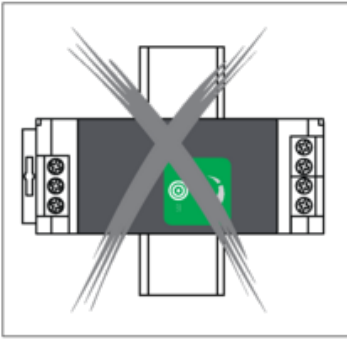
Mounting Position A



Mounting Position B

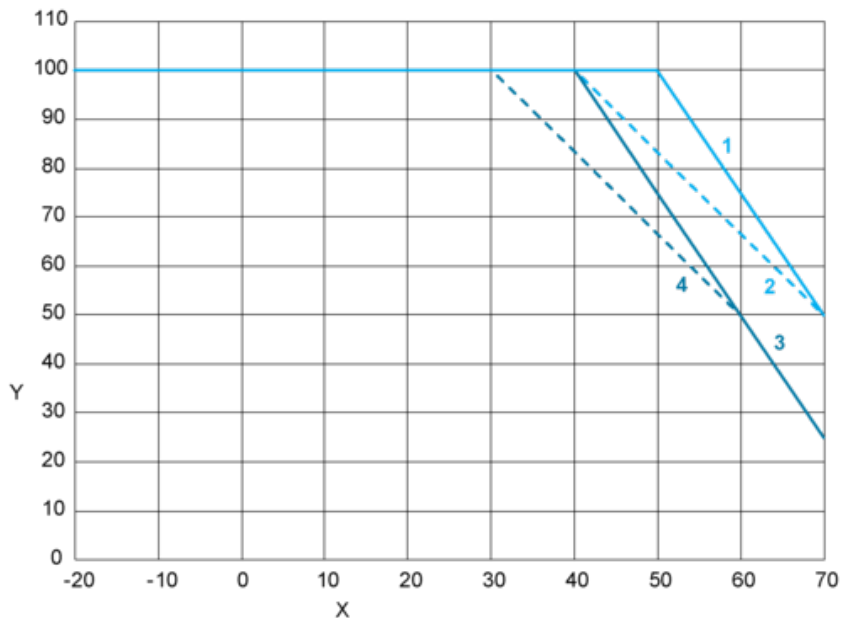


Incorrect Mounting

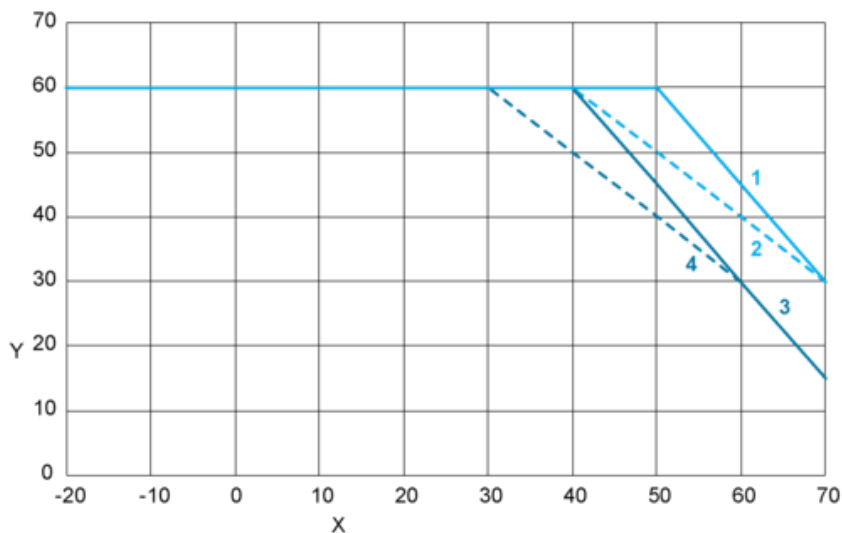


Performance Curve

Mounting Position A



Mounting Position B



X : Surrounding Air Temperature (°C)

Y : Percentage of Maximum Load (%)

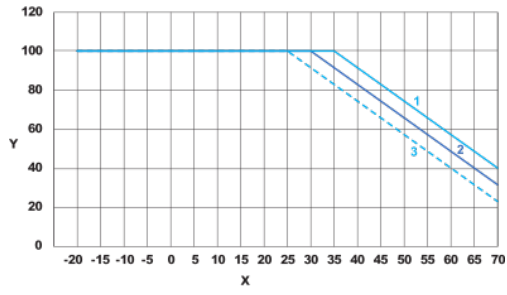
1 : Altitude ≤ 2000 m (6561 ft), Input voltage = 230 VAC / 325 VDC

2 : Altitude ≤ 2000 m (6561 ft), 115 VAC / 162 VDC

3 : Altitude ≤ 5000 m (16404 ft), Input voltage = 230 VAC / 325 VDC

4 : Altitude ≤ 5000 m (16404 ft), 115 VAC / 162 VDC

DC input voltage



X : Surrounding Air Temperature (°C)

Y : Percentage of Maximum Load (%)

1 : 110 VDC

2 : 90 VDC

3 : 85 VDC