



## Main

Range of product	Modicon X80
Product or component type	Discrete output module
Discrete output number	16 conforming to EN/IEC 61131-2
Discrete output type	Triac
Discrete output voltage	24...240 V 20...264 V AC
Discrete output current	3 A

## Complementary

Network frequency	50/60 Hz
Network frequency limits	47...63 Hz
Sensor power supply	20...264 V
Current per channel	3 A at 40 °C 1.2 A at 60 °C
Maximum current per module	10 A 40 °C 4 A 60 °C
Maximum leakage current	1 mA at state 0 24 V 1 mA at state 0 48 V 2 mA at state 0 115 V 2.5 mA at state 0 240 V
Maximum voltage drop	<1.55 V at state 1
Insulation resistance	> 10 MOhm 500 V DC
Power dissipation in W	1.45 W
Response time on output	<= 10 ms resistive activation <= 10 ms resistive deactivation
Typical current consumption	61 mA at 3.3 V DC 50 mA at 24 V DC
MTBF reliability	500000 H
Protection type	1 external fuse 4 A fast blow
Output overload protection	With varistor
Inrush current	30 A
Maximum current per output common	4 A
Output current limits	0.005...10 A
Status LED	1 LED (green) module operating (RUN) 1 LED per channel (green) channel diagnostic 1 LED (red) module error (ERR) 1 LED (red) module I/O
Net weight	0.264 kg

## Environment

IP degree of protection	IP20
Dielectric strength	3000 V AC at 50/60 Hz 1 min
Vibration resistance	3 gn
Shock resistance	30 gn
Ambient air temperature for storage	-40...85 °C

Ambient air temperature for operation	0...60 °C
Relative humidity	0...95 % at 0...60 °C without condensation
Operating altitude	0...2000 m 2000...5000 m with derating factor

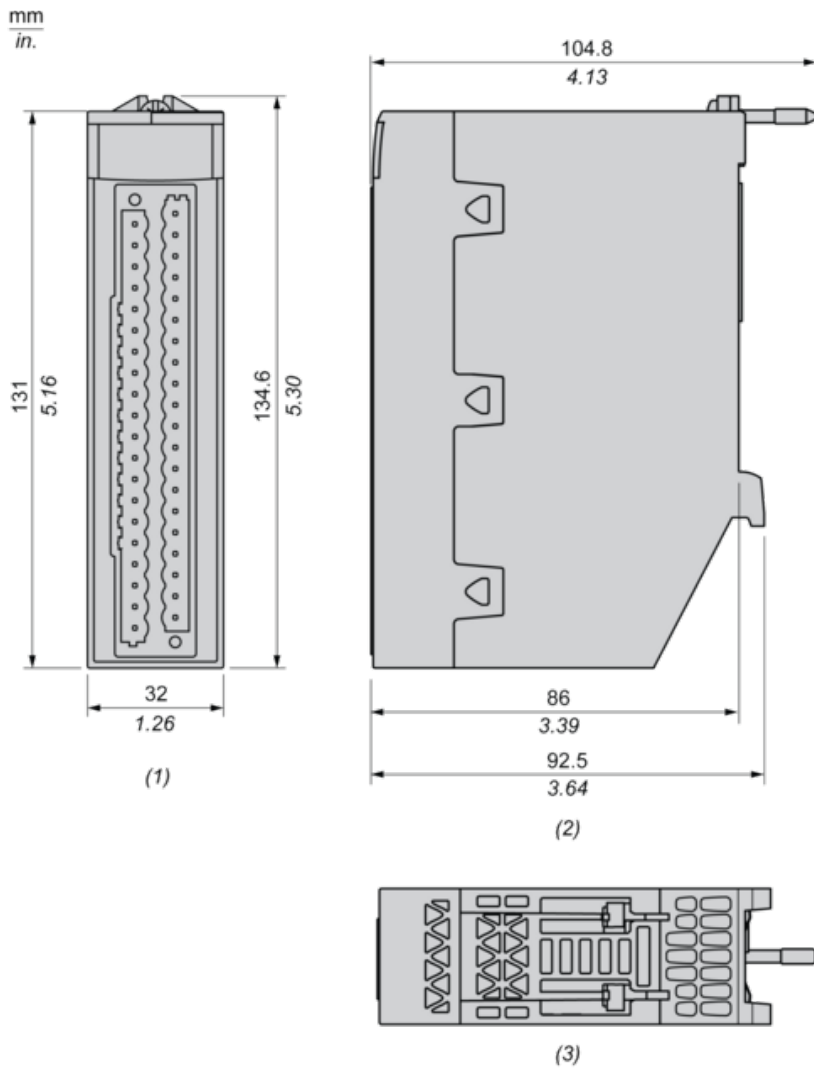
## Packing Units

Unit Type of Package 1	PCE
Number of Units in Package 1	1
Package 1 Height	5.500 cm
Package 1 Width	18.000 cm
Package 1 Length	26.000 cm
Package 1 Weight	405.000 g
Unit Type of Package 2	S03
Number of Units in Package 2	8
Package 2 Height	30.000 cm
Package 2 Width	30.000 cm
Package 2 Length	40.000 cm
Package 2 Weight	3.700 kg

## Offer Sustainability

Sustainable offer status	Green Premium product
REACH Regulation	<a href="#">REACH Declaration</a>
EU RoHS Directive	Pro-active compliance (Product out of EU RoHS legal scope)
Mercury free	Yes
China RoHS Regulation	<a href="#">China RoHS Declaration</a>
RoHS exemption information	<a href="#">Yes</a>
Environmental Disclosure	<a href="#">Product Environmental Profile</a>
Circularity Profile	<a href="#">End Of Life Information</a>
WEEE	The product must be disposed on European Union markets following specific waste collection and never end up in rubbish bins

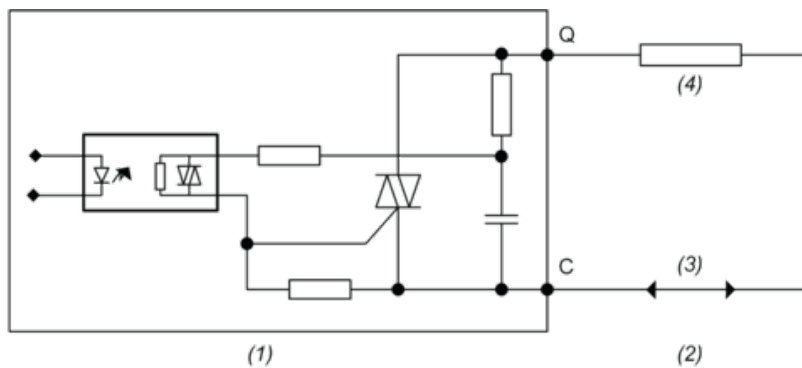
Dimensions



- (1) Front view
- (2) Right view
- (3) Top view

## Connecting the Module

### Output Circuit Diagram



- (1) Module
- (2) Output
- (3) Power supply
- (4) Pre-actuator

