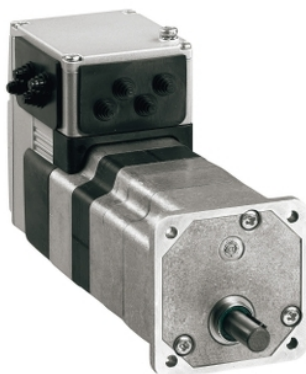


ILE2E661PC1A0

brushless DC motor, Lexium ILA ILE ILS,
24..48V- EtherCAT interface, L = 122mm, w/o
gearbox



Main

Range of product	Lexium integrated drive
Product or component type	Motion integrated drive
Device short name	ILE
Motor type	Brushless DC motor
Number of motor poles	6
Network number of phases	Single phase
[Us] rated supply voltage	48 V 24 V
Network type	DC
Communication interface	EtherCAT, integrated
Length	122 mm
Winding type	Medium speed of rotation and medium torque
Electrical connection	Industrial connector
Holding brake	Without
Gear box type	Without
Reduction ratio	1:1
Nominal speed	4800 rpm at 24 V 6000 rpm at 48 V
Nominal torque	0.26 N.M at 24 V 0.26 N.m at 48 V

Complementary

Transmission rate	100 Mbits
Mounting support	Flange
Motor flange size	66 mm
Number of motor stacks	1
Centring collar diameter	40 mm
Centring collar depth	2 mm
Number of mounting holes	4
Mounting holes diameter	4.4 mm
Circle diameter of the mounting holes	73.54 mm
Feedback type	BLDC encoder
Shaft end	Untapped
Second shaft	Without second shaft end
Shaft diameter	8 mm
Shaft length	25 mm
Supply voltage limits	18...55.2 V
Current consumption	7000 mA peak 5500 mA maximum continuous
Associated fuse rating	16 A
Commissioning interface	RS485 Modbus TCP (9.6, 19.2 and 38.4 kbauds)
Input/output type	4 signals (each be used as input or output)
Voltage state 0 guaranteed	-3...4.5 V

Voltage state 1 guaranteed	15...30 V
Discrete input current	10 MA at 24 V on/STO_A for safety input 3 MA at 24 V on/STO_B for safety input 2 mA at 24 V for 24 V signal interface
Discrete output voltage	23...25 V
Maximum switching current	100 MA per output 200 mA total
Protection type	Safe torque off Overload of output voltage Short circuit of the output voltage
Maximum supply current	0.1 A (power stage disabled) 6.8 A at 24 V 3.8 A at 48 V
Nominal output power	131 W at 24 V 163 W at 48 V
Peak stall torque	0.43 N.M at 24 V 0.43 N.m at 48 V
Continuous stall torque	0.28 N.m
Detent torque	0.08 N.m
Speed feedback resolution	12 points/turn
Accuracy error	+/- 0.5 °
Rotor inertia	0.17 kg.cm ²
Maximum mechanical speed	7000 Rpm 6500 rpm
Maximum radial force Fr	80 N
Maximum axial force Fa	30 N (force pressure) 30 N (tensile force)
Service life in hours	20000 h bearing
Marking	CE
Type of cooling	Natural convection
Net weight	1.4 kg

Environment

Standards	IEC 61800-3 EN 61800-3:2001, second environment IEC 60072-1 IEC 61800-3, Ed 2 IEC 50347 EN 61800-3 : 2001-02 IEC 50178
Product certifications	UL[RETURN]cUL[RETURN]TÜV
Ambient air temperature for operation	40...55 °C (with power derating of 2 % per °C) 0...40 °C (without derating)
Permissible ambient air temperature around the device	105 °C power amplifier 110 °C motor
Ambient air temperature for storage	-25...70 °C
Operating altitude	<= 1000 m without derating
Relative humidity	15...85 % without condensation
Vibration resistance	20 m/s ² (f= 10...500 Hz) 10 cycles conforming to IEC 60068-2-6
Shock resistance	150 m/s ² 1000 shocks conforming to IEC 60068-2-29
IP degree of protection	IP41 shaft bushing: conforming to IEC 60034-5 IP54 total except shaft bushing: conforming to IEC 60034-5

Packing Units

Unit Type of Package 1	PCE
Number of Units in Package 1	1
Package 1 Height	8.0 cm
Package 1 Width	18.5 cm
Package 1 Length	35.5 cm
Package 1 Weight	2.3 kg

Offer Sustainability

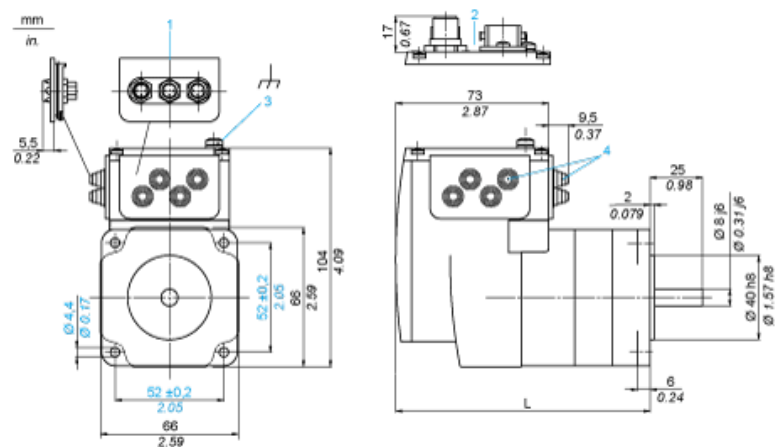
Sustainable offer status	Green Premium product
REACH Regulation	REACH Declaration
EU RoHS Directive	Pro-active compliance (Product out of EU RoHS legal scope)
Mercury free	Yes
China RoHS Regulation	China RoHS Declaration
RoHS exemption information	Yes
Environmental Disclosure	Product Environmental Profile
Circularity Profile	End Of Life Information
WEEE	The product must be disposed on European Union markets following specific waste collection and never end up in rubbish bins
PVC free	Yes

Contractual warranty

Warranty	18 months
----------	-----------

Integrated Drive without Gearing

Dimensions

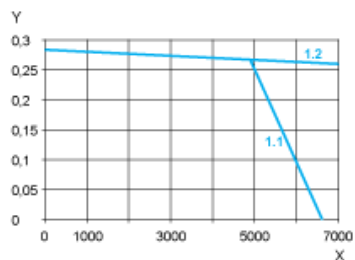


- 1 Accessories: I/O signal insert with industrial connectors
- 2 Option: industrial connectors
- 3 Earth (ground) terminal
- 4 Accessories: cable entries $\varnothing = 3 \dots 9 \text{ mm}/0.12 \dots 0.35 \text{ in.}$
- L 122 mm/4.80 in.

Connection Example with 4 I/O Signals



Torque Characteristics



- X Speed of rotation in rpm
Y Torque in Nm
1.1 Max. torque at 24 V
1.2 Max. torque at 48 V