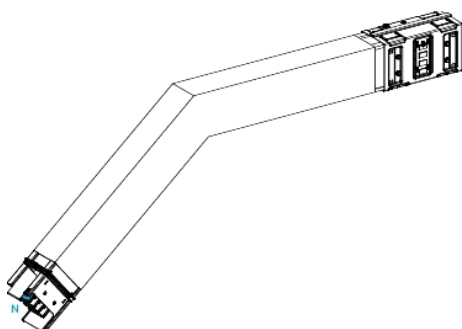


KSA630DLF43B

Elbow, Canalis KSA630, aluminium, 500/630A, sides A/B made to measure, to go downward, special angle, 3L+N+PE, RAL9001



Main

Range of product	Canalis
Product name	KS
Device short name	KSA
Offer type	Advanced
Product or component type	Elbow
Busbar description	Standard on made to measure (per side)
Product compatibility	Canalis KSA busbar trunking 400 A
Device application	Change direction
Conductors material	Aluminium
Busbar trunking polarity	3L + N + PE
[Ie] rated operational current	630 A at 35 °C
IP degree of protection	IP55 conforming to IEC 60529
[Ue] rated operational voltage	230...690 V
Network frequency	50/60 Hz
Operating angle	95...175 °
Direction change type	Direction 1: edgewise to downward - neutral to right
Colour	White (RAL 9001)
Dimension type	Made to measure

Complementary

Length	290...800 Mm for side A 290...800 mm for side B
Width	113 mm
Height	146 mm
Mounting location	On trunking
Mounting position	Any position
Electrical connection	Lubricated sliding contact
Mounting mode	By screws
Standards	IEC 61439-1 IEC 61439-6

Environment

IK degree of protection	IK08 conforming to IEC 62262
-------------------------	------------------------------

Packing Units

Unit Type of Package 1	PCE
Number of Units in Package 1	1
Package 1 Height	12.0 cm
Package 1 Width	86.6 cm
Package 1 Length	86.6 cm
Package 1 Weight	19.0 kg

Offer Sustainability

Sustainable offer status	Green Premium product
REACH Regulation	REACH Declaration
REACH free of SVHC	Yes
EU RoHS Directive	Compliant EU RoHS Declaration
Mercury free	Yes
China RoHS Regulation	China RoHS Declaration
RoHS exemption information	Yes
Environmental Disclosure	Product Environmental Profile
Circularity Profile	No need of specific recycling operations
WEEE	The product must be disposed on European Union markets following specific waste collection and never end up in rubbish bins