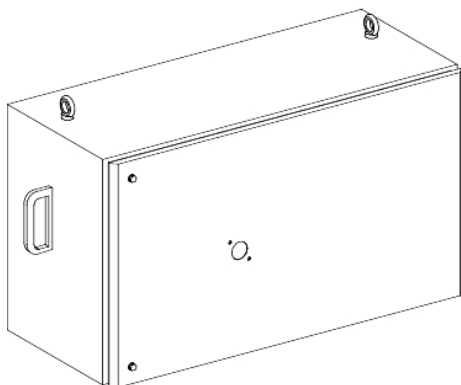


# KSB400SDF4

Tap off unit, Canalis KS 500A to 1000A, for switch disconnecter FuPacT INF, 400A, 3L+N+PE, IP55, RAL9001



## Main

Range of product	Canalis
Range compatibility	Canalis KS busbar trunking
Product or component type	Tap-off unit
Busbar trunking compatibility	Canalis KS busbar trunkingplug-in
[Ie] rated operational current	400 A at 35 °C
Protection type	Fupact INF switch-disconnector fuse: BS fuse Fupact INF switch-disconnector fuse: DIN fuse
Provided equipment	Fuse to be ordered separately
Mounting mode	Plug-in with fixed polarity
Tap-off unit polarity	3L+N+PE
Colour	White (RAL 9001)

## Complementary

Device application	Medium power distribution
[Ue] rated operational voltage	230...690 V depending on protective device
[Uimp] rated impulse withstand voltage	6.8 kV
[Ui] rated insulation voltage	690 V depending on protective device
Network frequency	50/60 Hz
Control type	Extended rotary handle
Electrical connection	Tunnel terminal - ISO40 150 mm <sup>2</sup> flexible Tunnel terminal - ISO40 240 mm <sup>2</sup> rigid
Door/cover opening side	Right
Tap-off unit disconnection mode	By opening the door
Standards	IEC 61439-1 IEC 61439-6
Body material	Metal
Width	732 mm
Depth	350 mm
Depth (door open)	976.5 mm
Height	438 mm
Net weight	18 kg

## Environment

Earthing system	TT TN-S IT
IP degree of protection	IP55 conforming to IEC 60529
IK degree of protection	IK08 conforming to IEC 62262

The information provided in this documentation contains general descriptions and/or technical characteristics of the performance of the products contained herein. This documentation is not intended as a substitute for and is not to be used for determining suitability or reliability of these products for specific user applications. It is the duty of any such user or integrator to perform the appropriate and complete risk analysis, evaluation and testing of the products with respect to the relevant specific application or use thereof. Neither Schneider Electric Industries SAS nor any of its affiliates or subsidiaries shall be responsible or liable for misuse of the information contained herein.

## Packing Units

Unit Type of Package 1	PCE
Number of Units in Package 1	1
Package 1 Height	35.8 cm
Package 1 Width	43.8 cm
Package 1 Length	74.3 cm
Package 1 Weight	21.0 kg

## Offer Sustainability

Sustainable offer status	Green Premium product
REACH Regulation	<a href="#">REACH Declaration</a>
EU RoHS Directive	Compliant with Exemptions
Mercury free	Yes
China RoHS Regulation	<a href="#">China RoHS Declaration</a>
RoHS exemption information	<a href="#">Yes</a>
Environmental Disclosure	<a href="#">Product Environmental Profile</a>
Circularity Profile	No need of specific recycling operations
WEEE	The product must be disposed on European Union markets following specific waste collection and never end up in rubbish bins

## Contractual warranty

Warranty	18 months
----------	-----------