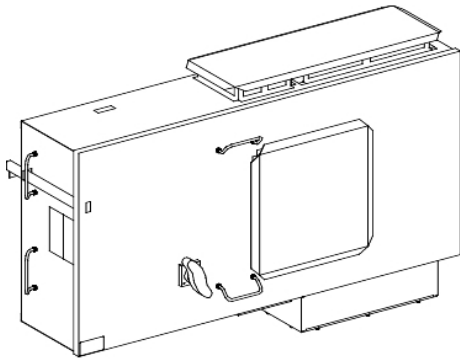


# KTB1000HF4

Bolted tap-off unit, Canalis KT, with switch disconnecter for DIN fuse size T4, 1000A, 3L +N+PE, white RAL9001



## Main

Range of product	Canalis
Range compatibility	Canalis KT busbar trunking
Product or component type	Tap-off unit
Busbar trunking compatibility	Canalis KT busbar trunking with KS type plug-in
[Ie] rated operational current	1000 A at 35 °C
Protection type	Switch-disconnector fuse: DIN fuse, size T4 - 1000 A
Provided equipment	Switch disconnecter
Mounting mode	Bolt-on
Tap-off unit polarity	3L+N+PE

## Complementary

Device application	High power distribution
[Ue] rated operational voltage	500 V
[Ui] rated insulation voltage	500 V
Network frequency	50/60 Hz
Control type	Rotary handle
Electrical connection	Bolted connection 300 mm <sup>2</sup> (x4) - for L/N Bolted connection 200 mm <sup>2</sup> (x1) - for PE
Door/cover opening side	Front
Standards	IEC 61439-1 IEC 61439-6
Colour	White (RAL 9001)
18 mm pitches	80
Width	1438 mm
Depth	330 mm
Height	690 mm
Net weight	96 kg

## Environment

IP degree of protection	IP31 conforming to IEC 60529
IK degree of protection	IK08 conforming to IEC 62262

## Packing Units

Unit Type of Package 1	PCE
Number of Units in Package 1	1
Package 1 Height	32.0 cm
Package 1 Width	68.0 cm
Package 1 Length	142.5 cm
Package 1 Weight	102.0 kg

The information provided in this documentation contains general descriptions and/or technical characteristics of the performance of the products contained herein. This documentation is not intended as a substitute for and is not to be used for determining suitability or reliability of these products for specific user applications. It is the duty of any such user or integrator to perform the appropriate and complete risk analysis, evaluation and testing of the products with respect to the relevant specific application or use thereof. Neither Schneider Electric Industries SAS nor any of its affiliates or subsidiaries shall be responsible or liable for misuse of the information contained herein.

## Offer Sustainability

Sustainable offer status	Green Premium product
REACH Regulation	<a href="#">REACH Declaration</a>
EU RoHS Directive	Compliant with Exemptions
Mercury free	Yes
China RoHS Regulation	<a href="#">China RoHS Declaration</a>
RoHS exemption information	<a href="#">Yes</a>
Environmental Disclosure	<a href="#">Product Environmental Profile</a>
Circularity Profile	<a href="#">End Of Life Information</a>
WEEE	The product must be disposed on European Union markets following specific waste collection and never end up in rubbish bins
PVC free	Yes