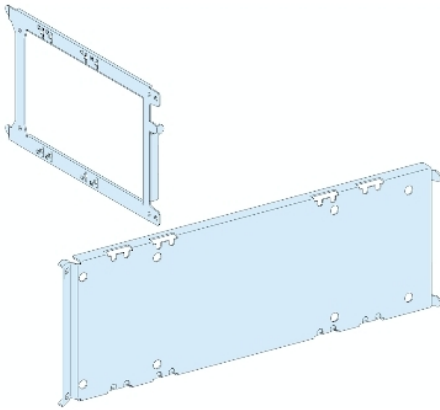


LVS03501

Mounting Plate, PrismaSeT P, for NS3200/
INS-INV2500 3P/4P fixed vertical, enclosure
W650mm



Main

Range	PrismaSeT
Range of product	PrismaSeT P
Product or component type	Mounting plate
Accessory / separate part category	Installation accessory
Range compatibility	PrismaSeT PrismaSeT P cubicle
Installation description	Cubicle - width 650 mm depth 400 mm Cubicle - width 650 mm depth 600 mm
Installed device	ComPact: fixed INS2000...2500 - control: direct front rotary handle - vertical installation ComPact: fixed INS630b...1600 - control: direct front rotary handle - vertical installation ComPact: fixed INV2000...2500 - control: direct front rotary handle - vertical installation ComPact: fixed INV630b...1600 - control: direct front rotary handle - vertical installation ComPact: fixed NS1600b - control: toggle - vertical installation ComPact: fixed NS2000...3200 - control: toggle - vertical installation
Poles description	1 x 3P: fixed INS2000...2500 vertical installation 1 x 4P: fixed INS2000...2500 vertical installation 1 x 3P: fixed INS630b...1600 vertical installation 1 x 4P: fixed INS630b...1600 vertical installation 1 x 3P: fixed INV2000...2500 vertical installation 1 x 4P: fixed INV2000...2500 vertical installation 1 x 3P: fixed INV630b...1600 vertical installation 1 x 4P: fixed INV630b...1600 vertical installation 1 x 3P: fixed NS1600b vertical installation 1 x 4P: fixed NS1600b vertical installation 1 x 3P: fixed NS2000...3200 vertical installation 1 x 4P: fixed NS2000...3200 vertical installation
Number of vertical modules [50 mm]	16 module(s): INS2000...2500, front connection on adaptor in 650 mm Widecubicle 16 module(s): INS2000...2500, rear connection on adaptor in 650 mm Widecubicle 14 module(s): INS630b...1600, front connection on adaptor in 650 mm Widecubicle 16 module(s): INV2000...2500, front connection on adaptor in 650 mm Widecubicle 16 module(s): INV2000...2500, rear connection on adaptor in 650 mm Widecubicle 14 module(s): INV630b...1600, front connection on adaptor in 650 mm Widecubicle 14 module(s): NS1600b, front connection on adaptor in 650 mm Widecubicle 16 module(s): NS2000...3200, front connection on adaptor in 650 mm Widecubicle
Standards	IEC 61439-2
Product certifications	ASTA

The information provided in this documentation contains general descriptions and/or technical characteristics of the performance of the products contained herein. This documentation is not intended as a substitute for and is not to be used for determining suitability or reliability of these products for specific user applications. It is the duty of any such user or integrator to perform the appropriate and complete risk analysis, evaluation and testing of the products with respect to the relevant specific application or use thereof. Neither Schneider Electric Industries SAS nor any of its affiliates or subsidiaries shall be responsible or liable for misuse of the information contained herein.



Complementary

Material	Sheet steel
Protective treatment	Electrophoresis treatment and hot-polymerised polyester epoxy powder
Surface finish	Matt Textured
Colour	White (RAL 9003)
Width	650 mm
Height	200 mm
Net weight	2.9 kg
Functional unit	650 mm 400 mm PrismaSeT P cubicle ComPact INS2000...2500 fixed direct front rotary handle vertical 3P 1 front connection on adaptor 16 262.5 mm 650 mm 400 mm PrismaSeT P cubicle ComPact INS2000...2500 fixed direct front rotary handle vertical 4P 1 front connection on adaptor 16 262.5 mm 650 mm 600 mm PrismaSeT P cubicle ComPact INS2000...2500 fixed direct front rotary handle vertical 3P 1 rear connection on adaptor 16 262.5 mm 650 mm 600 mm PrismaSeT P cubicle ComPact INS2000...2500 fixed direct front rotary handle vertical 4P 1 rear connection on adaptor 16 262.5 mm 650 mm 400 mm PrismaSeT P cubicle ComPact INS630b...1600 fixed direct front rotary handle vertical 3P 1 front connection on adaptor 14 262.5 mm 650 mm 400 mm PrismaSeT P cubicle ComPact INS630b...1600 fixed direct front rotary handle vertical 4P 1 front connection on adaptor 14 262.5 mm 650 mm 400 mm PrismaSeT P cubicle ComPact INV2000...2500 fixed direct front rotary handle vertical 3P 1 front connection on adaptor 16 262.5 mm 650 mm 400 mm PrismaSeT P cubicle ComPact INV2000...2500 fixed direct front rotary handle vertical 4P 1 front connection on adaptor 16 262.5 mm 650 mm 600 mm PrismaSeT P cubicle ComPact INV2000...2500 fixed direct front rotary handle vertical 3P 1 rear connection on adaptor 16 262.5 mm 650 mm 600 mm PrismaSeT P cubicle ComPact INV2000...2500 fixed direct front rotary handle vertical 4P 1 rear connection on adaptor 16 262.5 mm 650 mm 400 mm PrismaSeT P cubicle ComPact INV630b...1600 fixed direct front rotary handle vertical 3P 1 front connection on adaptor 14 262.5 mm 650 mm 400 mm PrismaSeT P cubicle ComPact INV630b...1600 fixed direct front rotary handle vertical 4P 1 front connection on adaptor 14 262.5 mm 650 mm 400 mm PrismaSeT P cubicle ComPact NS1600b fixed toggle vertical 3P 1 front connection on adaptor 14 212.5 mm 650 mm 400 mm PrismaSeT P cubicle ComPact NS1600b fixed toggle vertical 4P 1 front connection on adaptor 14 212.5 mm 650 mm 600 mm PrismaSeT P cubicle ComPact NS2000...3200 fixed toggle vertical 3P 1 front connection on adaptor 16 212.5 mm 650 mm 600 mm PrismaSeT P cubicle ComPact NS2000...3200 fixed toggle vertical 4P 1 front connection on adaptor 16 212.5 mm

Packing Units

Unit Type of Package 1	PCE
Number of Units in Package 1	1
Package 1 Height	3.4 cm
Package 1 Width	20 cm
Package 1 Length	58 cm
Package 1 Weight	2.944 kg
Unit Type of Package 2	S04
Number of Units in Package 2	4
Package 2 Height	30 cm
Package 2 Width	40 cm
Package 2 Length	60 cm
Package 2 Weight	18.25 kg

Offer Sustainability

Sustainable offer status	Green Premium product
REACH Regulation	 REACH Declaration
EU RoHS Directive	Pro-active compliance (Product out of EU RoHS legal scope)  EU RoHS Declaration
Toxic heavy metal free	Yes
Mercury free	Yes

China RoHS Regulation	China RoHS Declaration
RoHS exemption information	Yes
Circularity Profile	No need of specific recycling operations
PVC free	Yes
Halogen content performance	Halogen free plastic parts product