



## Main

Range of product	Pro-face ST6000
Product or component type	Touch panel screen

## Complementary

Display size	12 inch
Display type	Colour TFT LCD
Display colour	16 million colours
Display resolution	1280 x 800 pixels WXGA
Touch panel	Single touch analogue resistive
Backlight lifespan	50000 hours with white
Brightness	16 levels via touch panel
[Us] rated supply voltage	24 V DC
Inrush current	30 A
Input voltage limits	19.2...28.8 V DC
Allowable voltage drop time	10 ms
Voltage endurance	1000 V AC during 1 min
Maximum power consumption in W	18.4 W 15 W when power is not supplied to external devices 5.9 W when backlight is OFF
Memory description	Device memory 128 MB Backup memory 500 kB
Integrated connection type	COM1 serial link 1 SUB-D 9-pin female, interface: RS232C/RS422/RS485, transmission rate: 2400...115200 bps COM2 serial link 1 SUB-D 9-pin male, interface: RS422/RS485, transmission rate: 2400...115200 bps COM2 serial link 1 SUB-D 9-pin male, interface: RS422/RS485, transmission rate: 187.5 kbps compatible with Siemens MPI USB 2.0 type A USB 2.0 type micro B Ethernet female RJ45 10BASE-T/100BASE-TX
Data format	8 bits, no parity, 1 or 2 stop even or odd
Electrical connection	Cable 2 mm <sup>2</sup> , AWG 14, max resistance 100 Ohm for functional grounding
Type of cooling	AN (air natural)
Fixing mode	By 4 screws, mounting on 1.6...5 mm thick panel conforming to UL 61010-2-201 By 4 screws conforming to IEC 61131-2 By 4 screws conforming to IEC 61000-6-2
Enclosure material	PC
Front material	Aluminium
Cut-out dimensions	295 x 217 mm
Height	235 mm
Width	313 mm

Depth	50 mm
Net weight	1.8 kg

## Environment

Standards	IEC 61000-6-4 IEC 61000-6-2 IEC 61131-2 UL 61010-2-201 CSA C22.2 No 61010-2-201 KN 11 KN 61000-6-2
Product certifications	CE[RETURN]EAC[RETURN]UL/cUL listed[RETURN]IC[RETURN]RCM[RETURN]UKCA
Directives	2014/30/EU - electromagnetic compatibility 2014/35/EU - low voltage directive
Ambient air temperature for operation	0...50 °C
Ambient air temperature for storage	-20...60 °C
Relative humidity	10...90 % non-condensing
Storage Relative Humidity	10...90 % non-condensing
Operating altitude	2000 m
IP degree of protection	IP20 (rear panel) conforming to IEC 61131-2 IP65f (front panel) conforming to IEC 61131-2
NEMA degree of protection	NEMA 4X front panel (indoor use) NEMA Type 1 NEMA 13 front panel (in enclosure)
Pollution degree	2
Environmental characteristic	Corrosive gas free
Shock resistance	147 m/s <sup>2</sup> for 11 ms (X, Y, Z directions for 3 times) conforming to IEC 61131-2
Vibration resistance	+/- 3.5 mm (f = 5...9 Hz) X, Y, Z directions for 10 cycles (approx. 100 min) conforming to IEC 61131-2 9.8 m/s <sup>2</sup> (f = 9...150 Hz)
Insulation resistance	>= 10 MOhm
Electromagnetic compatibility	Electrical fast transient/burst immunity test - test level: 2 kV (power ports) conforming to IEC 61000-4-4 Electrical fast transient/burst immunity test - test level: 1 kV (signal ports) conforming to IEC 61000-4-4 Electrostatic discharge immunity test - test level: 6 kV level 3 (contact discharge) conforming to IEC 61000-4-2 Electrostatic discharge immunity test - test level: 8 kV level 3 (air discharge) conforming to IEC 61000-4-2

## Packing Units

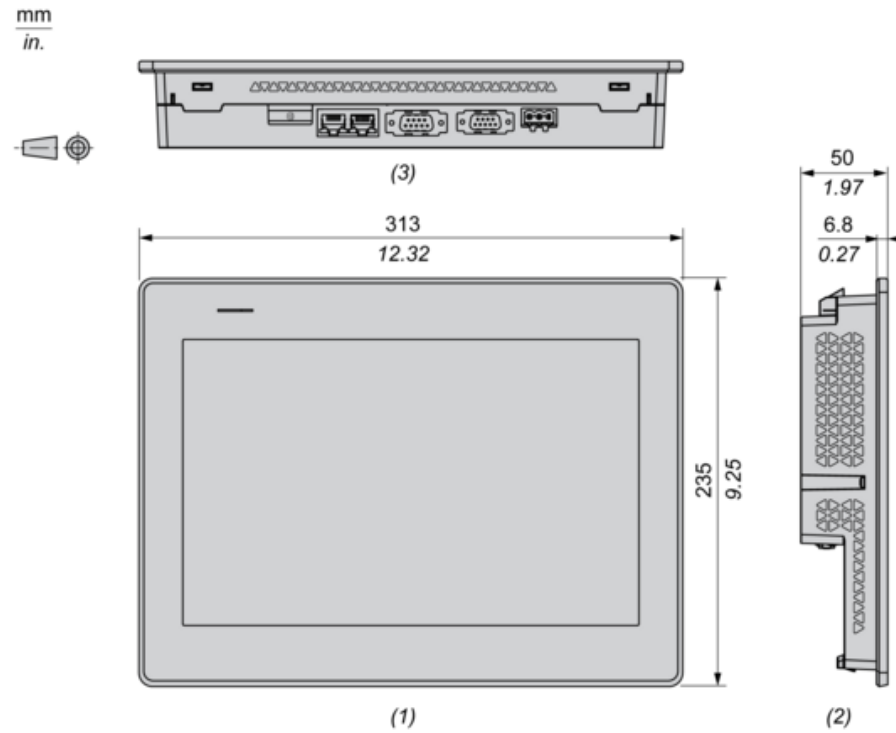
Unit Type of Package 1	PCE
Number of Units in Package 1	1
Package 1 Height	12.500 cm
Package 1 Width	30.500 cm
Package 1 Length	40.000 cm
Package 1 Weight	2.250 kg
Unit Type of Package 2	BB1
Number of Units in Package 2	4
Package 2 Height	34.000 cm
Package 2 Width	41.000 cm
Package 2 Length	55.000 cm
Package 2 Weight	10.215 kg
Unit Type of Package 3	P12
Number of Units in Package 3	16
Package 3 Height	75.000 cm
Package 3 Width	80.000 cm
Package 3 Length	120.000 cm
Package 3 Weight	52.860 kg

## Offer Sustainability

Sustainable offer status	Green Premium product
REACH Regulation	<a href="#">REACH Declaration</a>
EU RoHS Directive	Pro-active compliance (Product out of EU RoHS legal scope)
Mercury free	Yes
China RoHS Regulation	<a href="#">China RoHS Declaration</a>
RoHS exemption information	<a href="#">Yes</a>
Environmental Disclosure	<a href="#">Product Environmental Profile</a>
WEEE	The product must be disposed on European Union markets following specific waste collection and never end up in rubbish bins

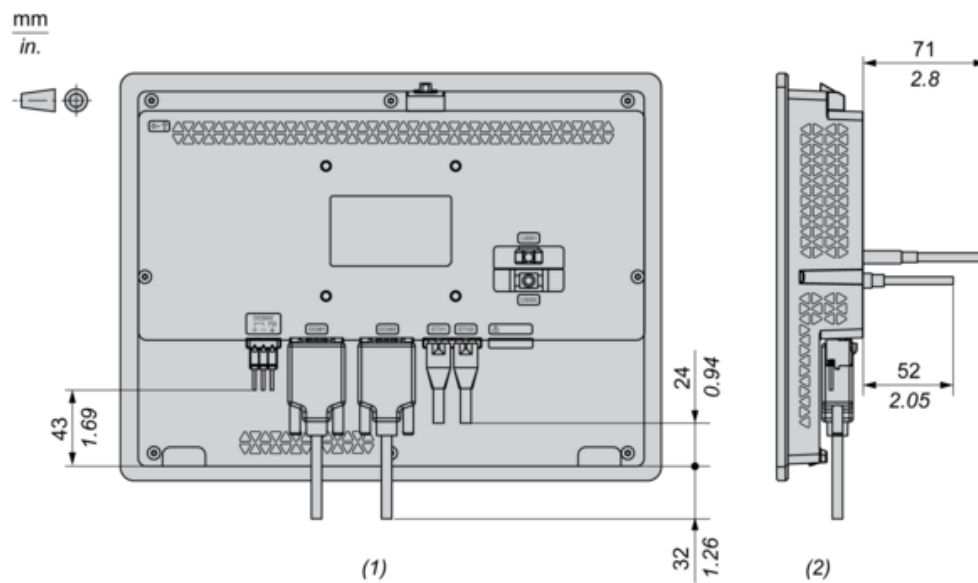
Dimensions

External Dimensions



- (1) : Front
- (2) : Left
- (3) : Bottom

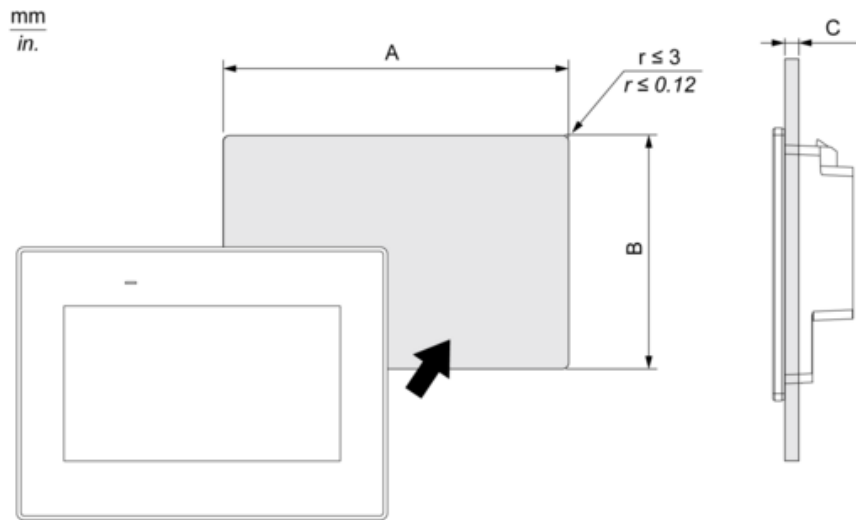
Dimensions with Cables



- (1) : Rear
- (2) : Right

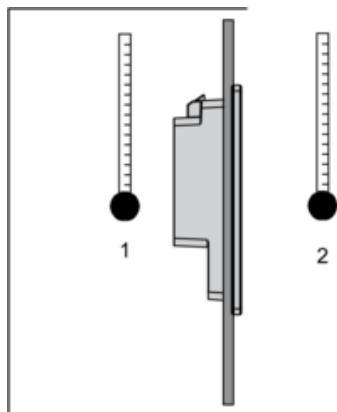
Mounting

Panel Cut Dimensions

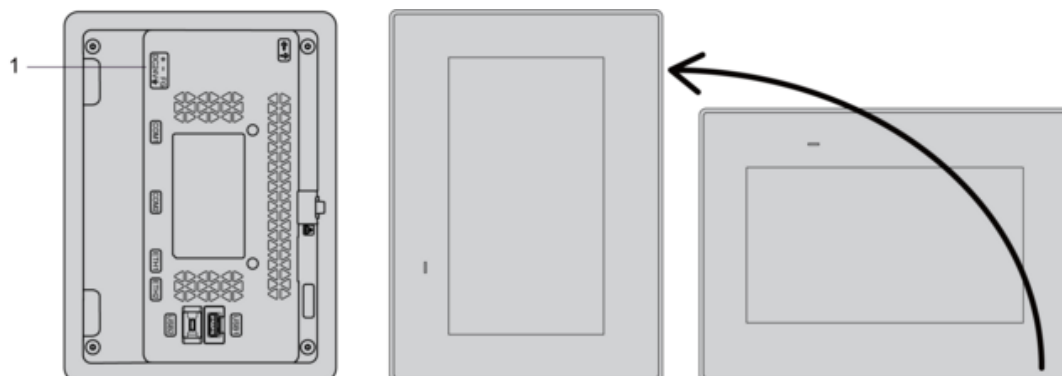


A		B		C	
mm	in.	mm	in.	mm	in.
295 (+1, -0)	11.61 (+0.04, -0)	217 (+1, -0)	8.54 (+0.04, -0)	1.6..5	0.06..0.2

Installation Requirements

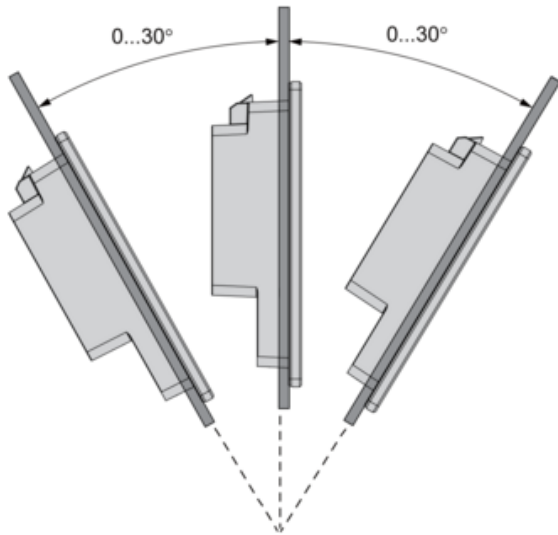


- 1 : Internal temperature
- 2 : External temperature



1 : Power connector

### Mounting Angle



### Clearance

mm  
in.

