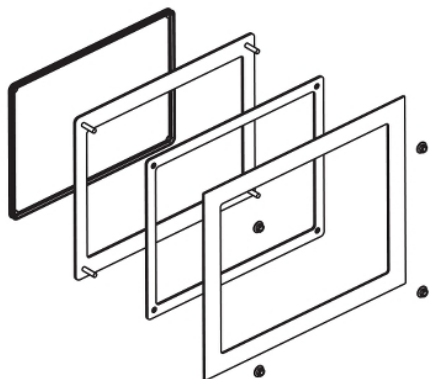


# PFXZPAT6W1

Panel cutout adapter, PS6000, to mount  
12-inch Wide Display Module in cutout for  
PS-5600W (12" wide)



## Main

Range of product	PS6000 FP6000
Product or component type	Panel adaptor
Accessory / separate part category	Adaptation accessory

## Complementary

Range compatibility	PS6000 FP6000
---------------------	------------------

## Packing Units

Unit Type of Package 1	PCE
Number of Units in Package 1	1
Package 1 Height	3.0 cm
Package 1 Width	24.0 cm
Package 1 Length	32.9 cm
Package 1 Weight	600.0 g
Unit Type of Package 2	S02
Number of Units in Package 2	4
Package 2 Height	15.0 cm
Package 2 Width	30.0 cm
Package 2 Length	40.0 cm
Package 2 Weight	2.9 kg

## Offer Sustainability

REACH Regulation	<a href="#">REACH Declaration</a>
REACH free of SVHC	Yes
EU RoHS Directive	Not applicable, out of EU RoHS legal scope

## Contractual warranty

Warranty	24 months
----------	-----------

The information provided in this documentation contains general descriptions and/or technical characteristics of the performance of the products contained herein. This documentation is not intended as a substitute for and is not to be used for determining suitability or reliability of these products for specific user applications. It is the duty of any such user or integrator to perform the appropriate and complete risk analysis, evaluation and testing of the products with respect to the relevant specific application or use thereof. Neither Schneider Electric Industries SAS nor any of its affiliates or subsidiaries shall be responsible or liable for misuse of the information contained herein.