



Main

Range compatibility	PacDrive 3
Device short name	SH3.....P
Product or component type	Servo motor

Complementary

Maximum mechanical speed	8000 rpm
[Us] rated supply voltage	115...480 V
Network number of phases	Three phase
Continuous stall current	2.9 A
Continuous stall torque	2.04 N.m at 115...480 V three phase
Continuous power	1130 W
Peak stall torque	7.6 N.m at 115...480 V three phase
Nominal output power	610 W at 230 V single phase 1130 W at 400 V three phase 1130 W at 480 V three phase
Nominal torque	2.1 N.M at 230 V single phase 1.8 N.M at 400 V three phase 1.8 N.m at 480 V three phase
Nominal speed	3000 rpm at 230 V single phase 6000 rpm at 400 V three phase 7200 rpm at 480 V three phase
Maximum current Irms	11.8 A
Shaft end	Smooth shaft
Shaft diameter	11 mm
Shaft length	23 mm
IP degree of protection	IP65 motor: conforming to EN/IEC 60034-5 IP54 shaft bushing without shaft seal ring: conforming to EN/IEC 60034-5
Encoder type	Absolute single turn Hiperface DSL
Speed feedback resolution	262144 points/turn
Holding brake	Without
Mounting support	International standard flange
Motor flange size	70 mm
Electrical connection	Rotatable right angled connector
Torque constant	0.7 N.m/A at 120 °C
Back emf constant	48 V/krpm at 20 °C
Number of motor poles	3
Rotor inertia	0.410 kg.cm ²
Stator resistance	4.2 Ohm
Stator inductance	21.3 mH
Maximum radial force Fr	900 N at 1000 rpm

Maximum axial force Fa	160 N
Type of cooling	Natural convection
Length	187 mm
Centring collar diameter	60 mm
Centring collar depth	2.5 mm
Number of mounting holes	4
Mounting holes diameter	5.5 mm
Circle diameter of the mounting holes	82 mm
Net weight	2.8 kg

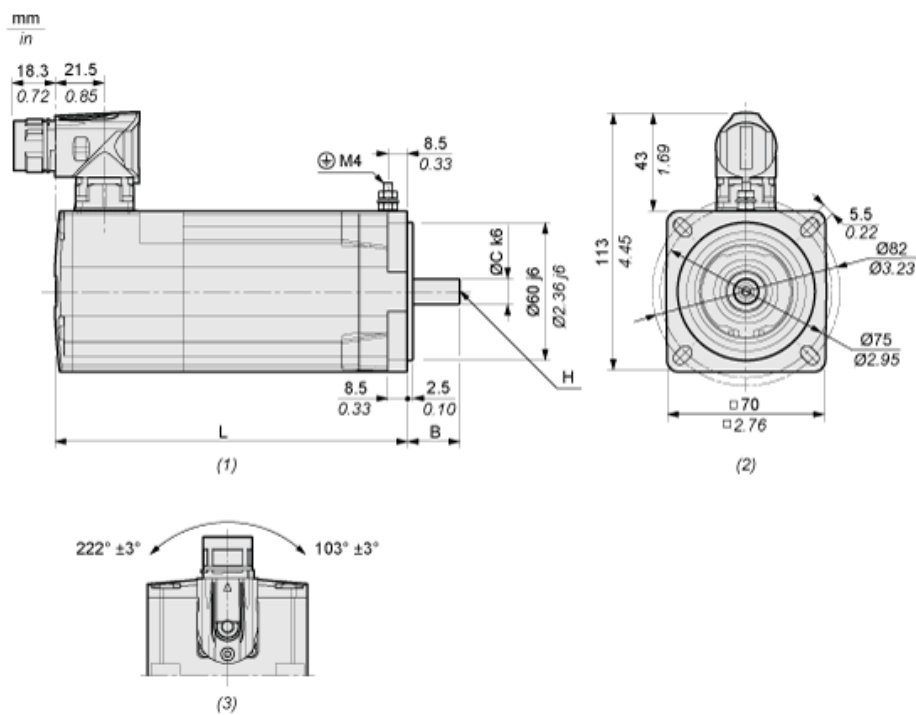
Packing Units

Unit Type of Package 1	PCE
Number of Units in Package 1	1
Package 1 Height	11.5 cm
Package 1 Width	19.0 cm
Package 1 Length	39.5 cm
Package 1 Weight	3.3 kg

Offer Sustainability

Sustainable offer status	Green Premium product
REACH Regulation	REACH Declaration
EU RoHS Directive	Pro-active compliance (Product out of EU RoHS legal scope)
Mercury free	Yes
China RoHS Regulation	China RoHS Declaration
RoHS exemption information	Yes
Environmental Disclosure	Product Environmental Profile
Circularity Profile	No need of specific recycling operations
WEEE	The product must be disposed on European Union markets following specific waste collection and never end up in rubbish bins
PVC free	Yes

Dimensions



- (1) : Side view
- (2) : Mounting
- (3) : Rotating area

Characteristic	Unit	Value
L	Length without holding brake	mm (in)
B	Shaft length	mm (in)
C	Shaft diameter	mm (in)
H	Female thread of shaft	DIN 332-D M4