

## Main

Range compatibility	PacDrive 3
Device short name	SH3.....P
Product or component type	Servo motor

## Complementary

Maximum mechanical speed	6000 rpm
[Us] rated supply voltage	115...480 V
Network number of phases	Three phase
Continuous stall current	6.6 A
Continuous stall torque	8 N.m at 115...480 V three phase
Continuous power	2400 W
Peak stall torque	28.3 N.m at 115...480 V three phase
Nominal output power	1470 W at 230 V single phase 2390 W at 400 V three phase 2390 W at 480 V three phase
Nominal torque	7 N.M at 230 V single phase 5.7 N.M at 400 V three phase 5.1 N.m at 480 V three phase
Nominal speed	2000 rpm at 230 V single phase 4000 rpm at 400 V three phase 4800 rpm at 480 V three phase
Maximum current Irms	28.3 A
Shaft end	Smooth shaft
Shaft diameter	19 mm
Shaft length	40 mm
IP degree of protection	IP65 motor: conforming to EN/IEC 60034-5 IP65 shaft bushing: conforming to EN/IEC 60034-5
Encoder type	Absolute single turn Hiperface DSL
Speed feedback resolution	262144 points/turn
Holding brake	With
Holding torque	9 N.m
Mounting support	International standard flange
Motor flange size	100 mm
Electrical connection	Rotatable right angled connector
Torque constant	1.22 N.m/A at 120 °C
Back emf constant	77 V/krpm at 20 °C
Number of motor poles	4
Rotor inertia	3.838 kg.cm <sup>2</sup>
Stator resistance	1.43 Ohm
Stator inductance	9.4 mH

Maximum radial force Fr	4500 N at 1000 rpm 3570 N at 2000 rpm 3120 N at 3000 rpm
Maximum axial force Fa	740 N
Brake pull-in power	18 W
Type of cooling	Natural convection
Length	271.5 mm
Centring collar diameter	95 mm
Centring collar depth	3.5 mm
Number of mounting holes	4
Mounting holes diameter	9.0 mm
Circle diameter of the mounting holes	115 mm
Net weight	8.2 kg

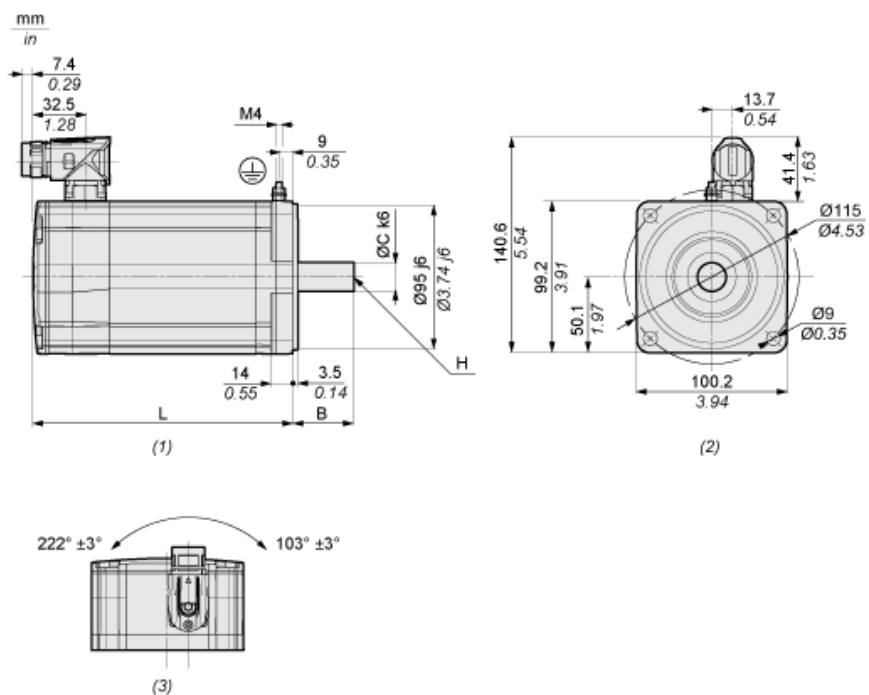
## Packing Units

Unit Type of Package 1	PCE
Number of Units in Package 1	1
Package 1 Height	26.0 cm
Package 1 Width	20.0 cm
Package 1 Length	59.0 cm
Package 1 Weight	8.9 kg

## Offer Sustainability

Sustainable offer status	Green Premium product
REACH Regulation	 <a href="#">REACH Declaration</a>
EU RoHS Directive	Pro-active compliance (Product out of EU RoHS legal scope)
Mercury free	Yes
China RoHS Regulation	 <a href="#">China RoHS Declaration</a>
RoHS exemption information	 <a href="#">Yes</a>
Environmental Disclosure	 <a href="#">Product Environmental Profile</a>
Circularity Profile	No need of specific recycling operations
WEEE	The product must be disposed on European Union markets following specific waste collection and never end up in rubbish bins
PVC free	Yes

Dimensions



- (1) : Side view
- (2) : Mounting
- (3) : Rotating area

Characteristic	Unit	Value
L	Length with holding brake	mm (in)
B	Shaft length	271.5 (10.69)
C	Shaft diameter	mm (in)
H	Female thread of shaft	40 (1.57)
		19 (0.75)
		DIN 332-D M6