



Main

Range compatibility	PacDrive 3
Device short name	SH3.....P
Product or component type	Servo motor

Complementary

Maximum mechanical speed	6000 rpm
[Us] rated supply voltage	115...480 V
Network number of phases	Three phase
Continuous stall current	6.2 A
Continuous stall torque	10 N.m at 115...480 V three phase
Continuous power	2500 W
Peak stall torque	40.5 N.m at 115...480 V three phase
Nominal output power	1490 W at 230 V single phase 2480 W at 400 V three phase 2480 W at 480 V three phase
Nominal torque	9.5 N.M at 230 V single phase 7.9 N.M at 400 V three phase 6.9 N.m at 480 V three phase
Nominal speed	1500 rpm at 230 V single phase 3000 rpm at 400 V three phase 3600 rpm at 480 V three phase
Maximum current Irms	32.3 A
Shaft end	Parallel key
Shaft diameter	24 mm
Shaft length	50 mm
Key width	8 mm
IP degree of protection	IP65 motor: conforming to EN/IEC 60034-5 IP54 shaft bushing without shaft seal ring: conforming to EN/IEC 60034-5
Encoder type	Absolute single turn Hiperface DSL
Speed feedback resolution	262144 points/turn
Holding brake	Without
Mounting support	International standard flange
Motor flange size	100 mm
Electrical connection	Straight connector
Torque constant	1.62 N.m/A at 120 °C
Back emf constant	103 V/krpm at 20 °C
Number of motor poles	4
Rotor inertia	4.22 kg.cm ²
Stator resistance	1.8 Ohm
Stator inductance	13 mH

Maximum radial force Fr	130 N at 1000 rpm 105 N at 2000 rpm 90 N at 3000 rpm
Maximum axial force Fa	20 N
Type of cooling	Natural convection
Length	276.5 mm
Centring collar diameter	95 mm
Centring collar depth	3.5 mm
Number of mounting holes	4
Mounting holes diameter	9.0 mm
Circle diameter of the mounting holes	115 mm
Net weight	9.1 kg

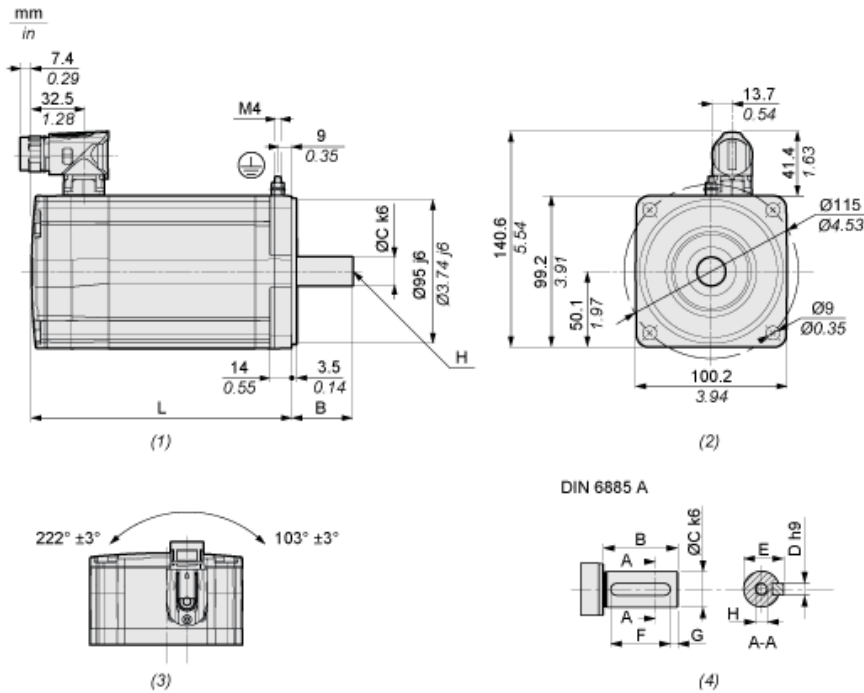
Packing Units

Unit Type of Package 1	PCE
Number of Units in Package 1	1
Package 1 Height	26.0 cm
Package 1 Width	20.0 cm
Package 1 Length	59.0 cm
Package 1 Weight	10.2 kg

Offer Sustainability

Sustainable offer status	Green Premium product
REACH Regulation	REACH Declaration
EU RoHS Directive	Pro-active compliance (Product out of EU RoHS legal scope)
Mercury free	Yes
China RoHS Regulation	China RoHS Declaration
RoHS exemption information	Yes
Environmental Disclosure	Product Environmental Profile
Circularity Profile	No need of specific recycling operations
WEEE	The product must be disposed on European Union markets following specific waste collection and never end up in rubbish bins
PVC free	Yes

Dimensions



- (1) : Side view
- (2) : Mounting
- (3) : Rotating area
- (4) : Feather key

Characteristic		Unit	Value
L	Length without holding brake	mm (in)	276.5 (10.89)
B	Shaft length	mm (in)	50 (1.97)
C	Shaft diameter	mm (in)	24 (0.94)
D	Width of parallel key	mm (in)	8 (0.31)
E	Shaft width with parallel key	mm (in)	27 (1.06)
F	Length of parallel key	mm (in)	40 (1.57)
G	Distance parallel key to shaft end	mm (in)	5 (0.2)
H	Female thread of shaft		DIN 332-D M8
	Parallel key		DIN 6885-A8x7x40