



## Main

Range of product	Harmony Solid State Relays
Product or component type	Heat sink

## Complementary

Product compatibility	1 solid state relay SSR on panel
Thermal resistance	0.7 °C/W
Mounting support	Panel
Material	Aluminium
Surface finish	Black anodized
Surface and useful surface	1640 cm <sup>2</sup>
Number of mounting holes	6 with UNC 8-32 thread
Tightening torque	1.7...2.2 N.m
Sale per indivisible quantity	1
Width	139.7 mm
Height	120.7 mm
Depth	66.8 mm
Net weight	0.526 g

## Packing Units

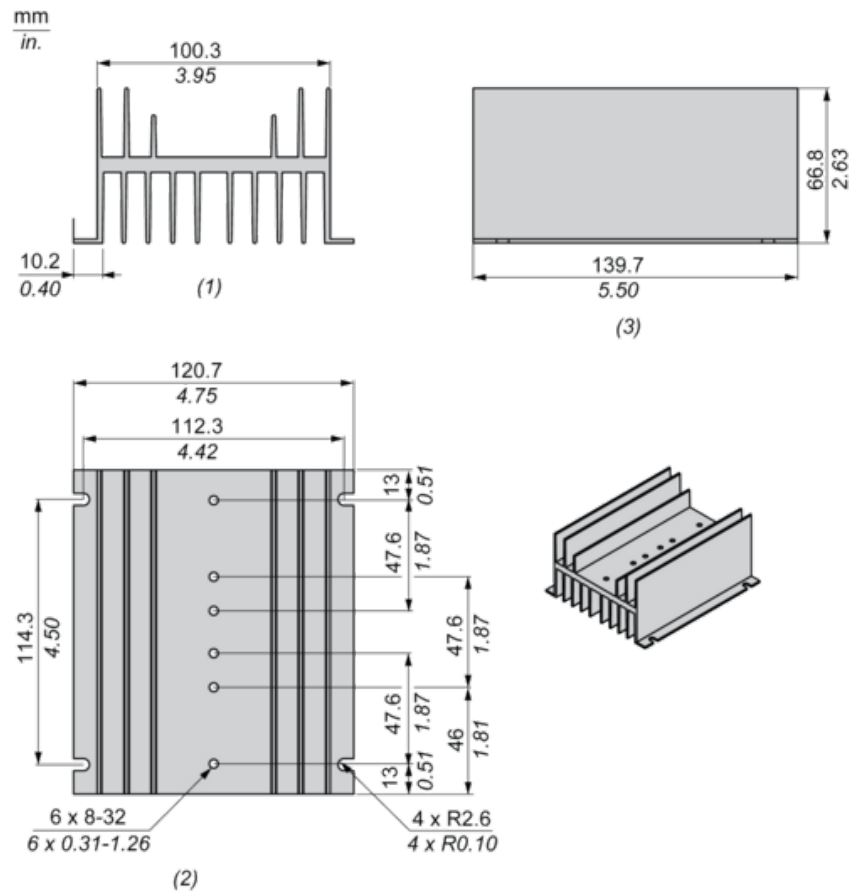
Unit Type of Package 1	PCE
Number of Units in Package 1	1
Package 1 Height	6.68 cm
Package 1 Width	12.07 cm
Package 1 Length	13.97 cm
Package 1 Weight	607.0 g
Unit Type of Package 2	S03
Number of Units in Package 2	12
Package 2 Height	30.0 cm
Package 2 Width	30.0 cm
Package 2 Length	40.0 cm
Package 2 Weight	7.29 kg

The information provided in this documentation contains general descriptions and/or technical characteristics of the performance of the products contained herein. This documentation is not intended as a substitute for and is not to be used for determining suitability or reliability of these products for specific user applications. It is the duty of any such user or integrator to perform the appropriate and complete risk analysis, evaluation and testing of the products with respect to the relevant specific application or use thereof. Neither Schneider Electric Industries SAS nor any of its affiliates or subsidiaries shall be responsible or liable for misuse of the information contained herein.

## Offer Sustainability

Sustainable offer status	Green Premium product
REACH Regulation	<a href="#">REACH Declaration</a>
REACH free of SVHC	Yes
EU RoHS Directive	Pro-active compliance (Product out of EU RoHS legal scope) <a href="#">EU RoHS Declaration</a>
Toxic heavy metal free	Yes
Mercury free	Yes
China RoHS Regulation	<a href="#">China RoHS Declaration</a>
RoHS exemption information	<a href="#">Yes</a>
Circularity Profile	No need of specific recycling operations

Dimensions



- (1) Front view
- (2) Top view
- (3) Side view