



### Main

Range of product	Modicon M171
Product or component type	Display module
Display colour	Monochrome
Supply	External source

### Complementary

Display type	7 segments LED + decimal point
Number of key	8
Colour	Grey
[Us] rated supply voltage	12 V DC
Power consumption in W	5 W 0 W
Marking	CE
Local signalling	LED
Product compatibility	Logic controller M171 optimized
Height	74 mm
Width	32 mm
Depth	30 mm
Net weight	0.042 kg

### Environment

Product certifications	cURus
IP degree of protection	IP20

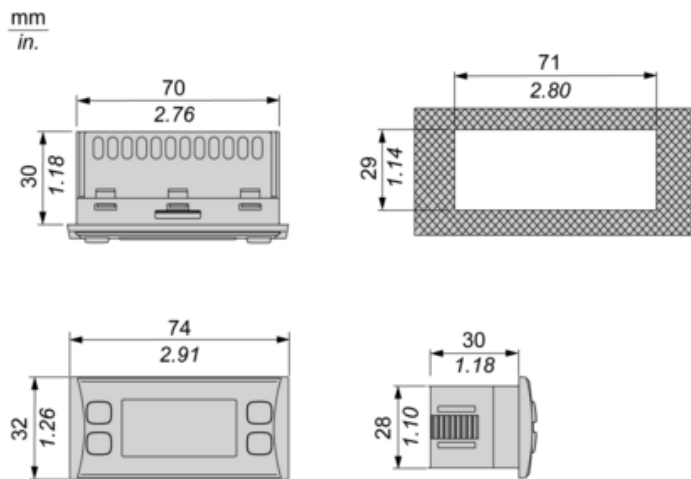
### Packing Units

Unit Type of Package 1	PCE
Number of Units in Package 1	1
Package 1 Height	13.000 cm
Package 1 Width	9.000 cm
Package 1 Length	12.700 cm
Package 1 Weight	129.000 g
Unit Type of Package 2	S01
Number of Units in Package 2	5
Package 2 Height	15.000 cm
Package 2 Width	15.000 cm
Package 2 Length	40.000 cm
Package 2 Weight	835.000 g

## Offer Sustainability

REACH Regulation	<a href="#">REACH Declaration</a>
EU RoHS Directive	Pro-active compliance (Product out of EU RoHS legal scope)
Mercury free	Yes
China RoHS Regulation	<a href="#">China RoHS Declaration</a>
RoHS exemption information	<a href="#">Yes</a>
WEEE	The product must be disposed on European Union markets following specific waste collection and never end up in rubbish bins
Upgradeability	Upgradeable through digital modules and upgraded components

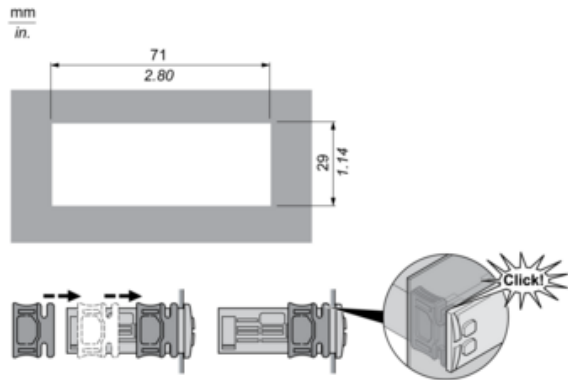
Dimensions



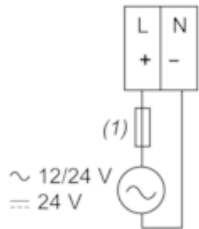
---

Mounting on Panel with the Special Brackets Provided

---



## Power Supply



(1) Type T fuse (Controller: 1.25 A , Expansion: 1 A)

## Wiring Diagram



BK : Black  
BU : Blue  
RD : Red