



Main

Range of product	Modicon TM5
Product or component type	Communication module
Physical interface	Screw block terminal

Complementary

Range compatibility	PacDrive 3 Modicon M262
Communication port protocol	IO-Link
Marking	CE UL
Net weight	0.05 kg

Environment

Standards	CE UL ATEX II 3
Product certifications	CE[RETURN]cULus
Ambient air temperature for operation	0...55 °C without derating (horizontal installation) 0...60 °C with derating factor (horizontal installation) 0...50 °C (vertical installation)
Ambient air temperature for storage	-25...70 °C
Relative humidity	5...95 % without condensation
IP degree of protection	IP20
Pollution degree	2
Operating altitude	0...2000 m
Vibration resistance	1 gn at 8.4...150 Hz on DIN rail 3.5 mm at 5...8.4 Hz on DIN rail

Packing Units

Unit Type of Package 1	PCE
Number of Units in Package 1	1
Package 1 Height	2.000 cm
Package 1 Width	6.000 cm
Package 1 Length	10.500 cm
Package 1 Weight	38.000 g
Unit Type of Package 2	S02
Number of Units in Package 2	45
Package 2 Height	15.000 cm
Package 2 Width	30.000 cm

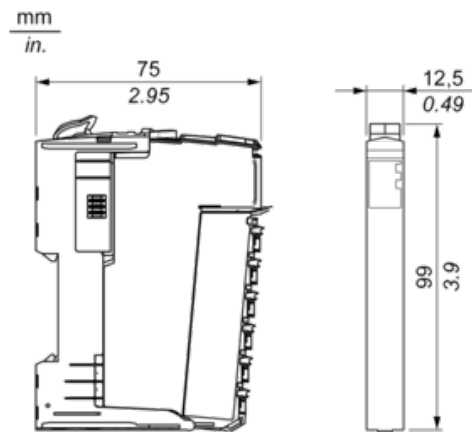
Package 2 Length	40.000 cm
Package 2 Weight	2.086 kg

Offer Sustainability

Sustainable offer status	Green Premium product
REACH Regulation	REACH Declaration
REACH free of SVHC	Yes
EU RoHS Directive	Pro-active compliance (Product out of EU RoHS legal scope) EU RoHS Declaration
Toxic heavy metal free	Yes
Mercury free	Yes
China RoHS Regulation	China RoHS Declaration
RoHS exemption information	Yes
Environmental Disclosure	Product Environmental Profile
Circularity Profile	End Of Life Information
WEEE	The product must be disposed on European Union markets following specific waste collection and never end up in rubbish bins
PVC free	Yes

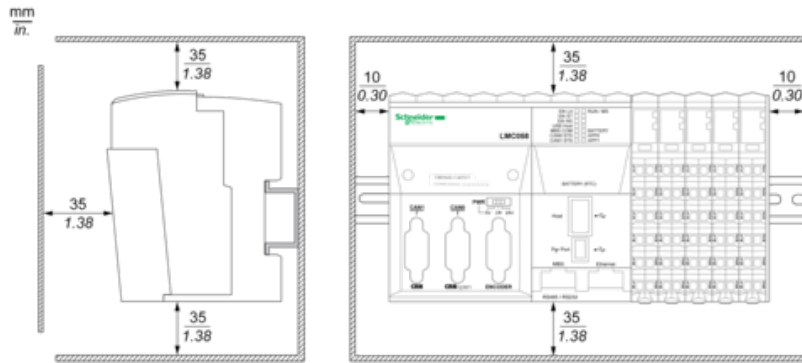
TM5 Slice

Dimensions

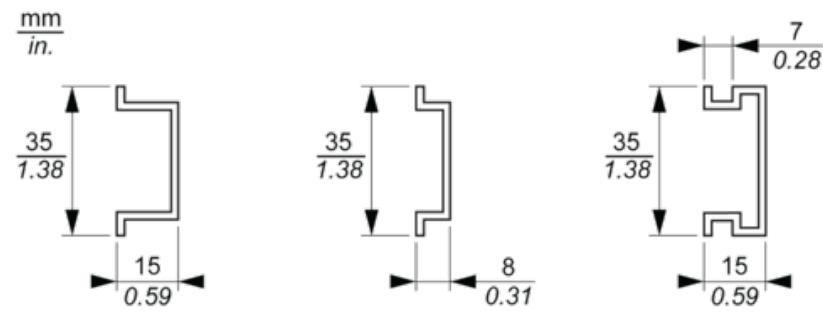


TM5 System

Spacing Requirements



Mounting on a DIN Rail

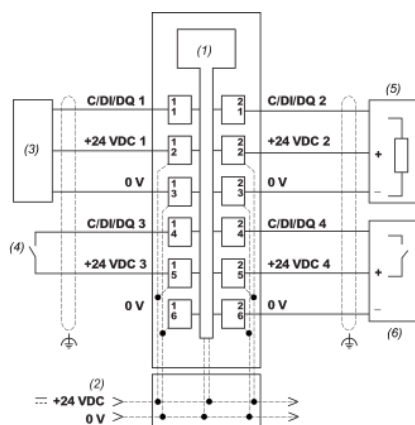


TM5 System Wiring Recommendations

Wire Sizes to Use with the Removable Spring Terminal Blocks

$\frac{\text{mm}}{\text{in.}}$ 				
mm ²	0,08...2,5	0,25...2,5	0,25...1,5	2 x 0,25...2 x 0,75
AWG	28...14	24...14	24...16	2 x 24...2 x 18

Wiring Diagram



- (1) Internal electronics
 - (2) 24 Vdc I/O power segment integrated into the bus bases
 - (3) IO-Link device
 - (4) 2-wire sensor
 - (5) Actuator
 - (6) 3-wire sensor
- C/DI/DQ: Configurable as communication, input, or output 24 Vdc