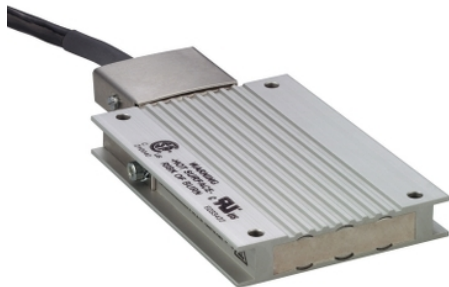


# Product data sheet

## Characteristics

# VW3A7601R07

braking resistor - 10 ohm - 400 W - cable 0.75 m - IP65



### Main

Range of product	Lexium Altivar
Range compatibility	Lexium 28 Lexium 05 Lexium 32i Lexium 15 Lexium 52 Lexium 32
Product or component type	Braking resistor
Ohmic value	10 Ohm

### Complementary

Energy peak	7300 J at 400 V 7300 J at 480 V 13300 J at 230 V 18800 J at 115 V
Continuous power	400 W
Protection type	Thermal protection via the servo drive
Net weight	1.42 kg
Cable length	0.75 m

### Environment

IP degree of protection	IP65
Ambient air temperature for storage	-25...85 °C
Ambient air temperature for operation	0...50 °C

### Packing Units

Unit Type of Package 1	PCE
Number of Units in Package 1	1
Package 1 Height	4.500 cm
Package 1 Width	40.000 cm
Package 1 Length	13.000 cm
Package 1 Weight	1.438 kg

### Offer Sustainability

REACH Regulation	<a href="#">REACH Declaration</a>
REACH free of SVHC	Yes
EU RoHS Directive	Pro-active compliance (Product out of EU RoHS legal scope) <a href="#">EU RoHS Declaration</a>
Toxic heavy metal free	Yes
Mercury free	Yes
China RoHS Regulation	<a href="#">China RoHS Declaration</a>
RoHS exemption information	<a href="#">Yes</a>

## Contractual warranty

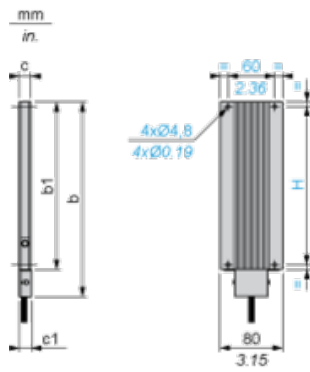
---

Warranty	18 months
----------	-----------

---

Braking Resistor

Dimensions



Dimensions in mm

b	b1	c	c1	H
257	216	30	-	204

Dimensions in in.

b	b1	c	c1	H
10.11	8.50	1.18	-	8.03