

XALD04H7

Empty control station, Harmony XALD, XALK, plastic, dark grey lid, light grey base, 4 cut out, UL CSA certified



Main

| | |
|-----------------------------|--|
| Range of product | Harmony XALD |
| Product or component type | Empty control station |
| Device short name | XALD |
| Product destination | For XB5 Ø 22 mm control and signalling units |
| Number of cut-out | 4 cut-outs |
| Colour of base of enclosure | Light grey (RAL 7035) |
| Colour of cover | Dark grey (RAL 7016) |
| Material | Polycarbonate |
| Cable entry | 2 knock-outs for cable entry, clamping capacity: 14 mm 2 knock-outs for Pg 13 cable gland and ISO M20, clamping capacity: 12 mm |
| IP degree of protection | IP66 conforming to IEC 60529 IP67 IP69 IP69K |

Complementary

| | |
|------------------------------------|--|
| Assembly style | For customer assembly |
| Number of horizontal rows | 1 |
| Number of vertical rows | 4 |
| Resistance to high pressure washer | 7000000 Pa at 55 °C, distance : 0.1 m |
| Mounting of block | Front mounting Rear mounting |
| Electrical composition code | MR1 SR1 SR2 SF2 MF2 MF1 PF2 PR1 PF1 SF1 |
| Main group | 4 cut-outs |
| Group of product | UL-CSA grey |

Environment

| | |
|---------------------------------------|----------------------------------|
| Protective treatment | TH |
| Ambient air temperature for storage | -40...70 °C |
| Ambient air temperature for operation | -40...70 °C |
| Overvoltage category | Class II conforming to IEC 60536 |
| NEMA degree of protection | NEMA 13 NEMA 4X |
| IK degree of protection | IK03 conforming to EN 50102 |

The information provided in this documentation contains general descriptions and/or technical characteristics of the performance of the products contained herein. This documentation is not intended as a substitute for and is not to be used for determining suitability or reliability of these products for specific user applications. It is the duty of any such user or integrator to perform the appropriate and complete risk analysis, evaluation and testing of the products with respect to the relevant specific application or use thereof. Neither Schneider Electric Industries SAS nor any of its affiliates or subsidiaries shall be responsible or liable for misuse of the information contained herein.

| | |
|------------------------|---|
| Standards | UL 508 JIS C8201-5-1 EN/IEC 60947-5-5 EN/IEC 60947-5-4 EN/IEC 60947-1 EN/IEC 60947-5-1 CSA C22.2 No 14 JIS C8201-1 |
| Product certifications | CSA[RETURN]JUL |

Packing Units

| | |
|------------------------------|----------|
| Unit Type of Package 1 | PCE |
| Number of Units in Package 1 | 1 |
| Package 1 Height | 7.0 cm |
| Package 1 Width | 7.8 cm |
| Package 1 Length | 16.8 cm |
| Package 1 Weight | 269.0 g |
| Unit Type of Package 2 | S03 |
| Number of Units in Package 2 | 20 |
| Package 2 Height | 30.0 cm |
| Package 2 Width | 30.0 cm |
| Package 2 Length | 40.0 cm |
| Package 2 Weight | 5.845 kg |

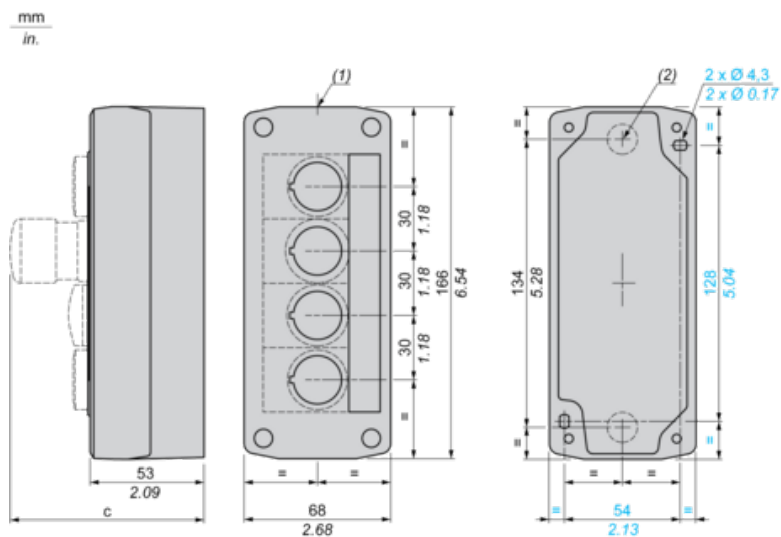
Offer Sustainability

| | |
|----------------------------|--|
| Sustainable offer status | Green Premium product |
| REACH Regulation | REACH Declaration |
| REACH free of SVHC | Yes |
| EU RoHS Directive | Pro-active compliance (Product out of EU RoHS legal scope) EU RoHS Declaration |
| Toxic heavy metal free | Yes |
| Mercury free | Yes |
| China RoHS Regulation | China RoHS Declaration |
| RoHS exemption information | Yes |
| Environmental Disclosure | Product Environmental Profile |
| Circularity Profile | End Of Life Information |

Contractual warranty

| | |
|----------|-----------|
| Warranty | 18 months |
|----------|-----------|

Dimensions



(1) 2 knock-outs for Pg 13.5 cable gland, maximum capacity 12 mm/0.47 in.

(2) Knock-out for cable entry, maximum capacity 14 mm/0.55 in.

| Control station fitted with: | c in mm | c in in. |
|---|---------|----------|
| Flush pushbutton | 62 | 2.44 |
| Pilot light | 64 | 2.52 |
| Illuminated pushbutton | 65.5 | 2.58 |
| Projecting pushbutton | 66 | 2.60 |
| Selector switch | 80 | 3.15 |
| Mushroom head pushbutton | 91.5 | 3.58 |
| Latching mushroom head Emergency stop pushbutton with key | 115 | 4.53 |
| Key switch | 105.5 | 4.15 |