

# XPSMCMEN0200

expansion module, Modicon MCM, speed monitoring, 2 proximity sensor, screw



## Main

|                           |                              |
|---------------------------|------------------------------|
| Range of product          | Preventa Safety automation   |
| Product or component type | Safe speed monitoring module |
| Device short name         | XPSMCM                       |
| Electrical connection     | Screw terminal               |
| [Us] rated supply voltage | 24 V - 20...20 % DC          |
| Discrete input voltage    | 24 V DC                      |
| Function of module        | Speed monitoring             |

## Complementary

|                                |  |
|--------------------------------|--|
| Maximum power consumption in W | 3 W  |
| Power dissipation in W         | 3 W  |
| Integrated connection type     | Backplane expansion bus  |
| Safety level                   | Can reach category 4 conforming to ISO 13849-1<br>Can reach PL = e conforming to ISO 13849-1<br>Type 4 conforming to IEC 61496-1<br>SILCL 3 conforming to IEC 62061  |
| Quality labels                 | CE   |
| Number of terminal blocks      | 4  |
| Local signalling               | 1 LED green with PWR marking for power ON<br>1 LED green with RUN marking for RUN (status)<br>1 LED red with E IN marking for internal error<br>1 LED red with E EX marking for external error<br>2 LEDs orange with ADDR marking for node address<br>2 LEDs yellow with PROX marking for proximity sensors connection status<br>2 LEDs yellow with SH marking for speed monitoring status   |
| Connections - terminals        | 2 captive screw clamp terminals, removable terminal block<br>1 captive screw clamp terminals, removable terminal block   |
| Maximum input frequency        | 5 kHz for sensor   |
| Sensor type                    | Inductive proximity sensor   |
| Cable cross section            | 0.2...2.5 Mm <sup>2</sup> flexible cablewithout cable end<br>0.2...2.5 Mm <sup>2</sup> solid cablewithout cable end<br>0.25...2.5 Mm <sup>2</sup> flexible cablewith cable end, with bezel<br>0.25...2.5 Mm <sup>2</sup> flexible cablewith cable end, without bezel<br>0.2...1.5 Mm <sup>2</sup> flexible cablewithout cable end<br>0.25...1 Mm <sup>2</sup> flexible cablewith cable end, without bezel<br>0.5...1.5 Mm <sup>2</sup> flexible cablewith cable end, with double bezel<br>0.2...1 mm <sup>2</sup> solid cablewithout cable end |
| Mounting support               | Omega 35 mm DIN rail conforming to EN 50022  |
| Depth                          | 22.5 mm  |
| Height                         | 99 mm  |
| Width                          | 114.5 mm   |
| Net weight                     | 0.23 kg  |

The information provided in this documentation contains general descriptions and/or technical characteristics of the performance of the products contained herein. This documentation is not intended as a substitute for and is not to be used for determining suitability or reliability of these products for specific user applications. It is the duty of any such user or integrator to perform the appropriate and complete risk analysis, evaluation and testing of the products with respect to the relevant specific application or use thereof. Neither Schneider Electric Industries SAS nor any of its affiliates or subsidiaries shall be responsible or liable for misuse of the information contained herein.

## Environment

|  |   |
|--|---|
| Standards                              | IEC 62061<br>IEC 61800-5-1<br>IEC 61496-1<br>ISO 13849-1<br>IEC 61508   |
| Product certifications                 | cULus[RETURN]TÜV[RETURN]RCM   |
| IP degree of protection                | IP20 (enclosure)  |
| Ambient air temperature for operation  | -10...55 °C   |
| Ambient air temperature for storage    | -20...85 °C   |
| Relative humidity                      | 10...95 %   |
| Pollution degree                       | 2   |
| [Uimp] rated impulse withstand voltage | 4 kV conforming to IEC 61800-5  |
| Insulation                             | 250 V AC between power supply and housing conforming to IEC 61800-5-1   |
| Overvoltage category                   | II  |
| Electromagnetic compatibility          | Electrostatic discharge immunity test - test level: 6 kV (on contact) conforming to IEC 61000-4-2<br>Electrostatic discharge immunity test - test level: 20 kV (on air) conforming to IEC 61000-4-2<br>Susceptibility to electromagnetic fields - test level: 10 V/m (80...1000 MHz) conforming to IEC 61000-4-3<br>Susceptibility to electromagnetic fields - test level: 30 V/m (1.4 GHz...2 GHz) conforming to IEC 61000-4-3 |
| Vibration resistance                   | +/-0.35 mm (f= 10...55 Hz) conforming to IEC 61496-1  |
| Shock resistance                       | 10 gn (duration = 16 ms) for 1000 shocks on each axis conforming to IEC 61496-1   |
| Service life                           | 20 year(s)  |

## Packing Units

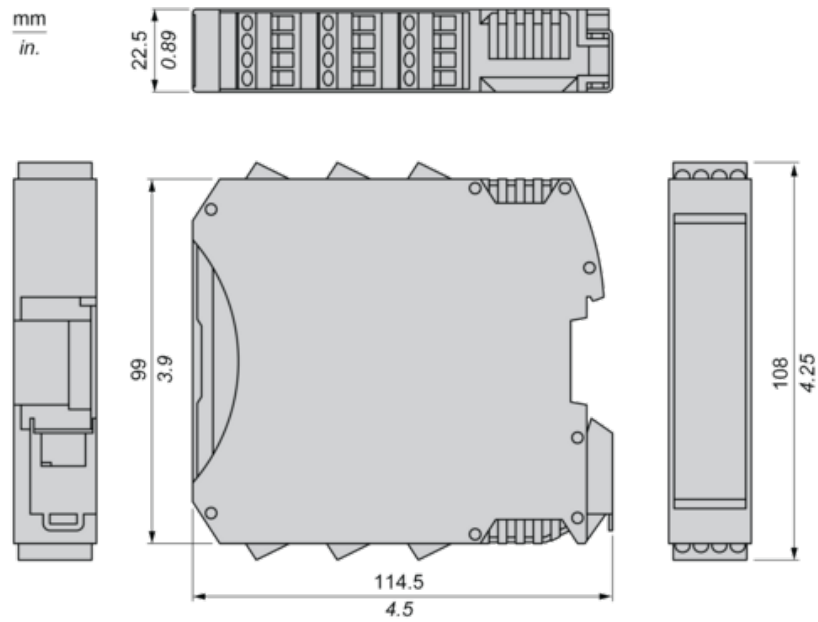
|                              |         |
|------------------------------|---------|
| Unit Type of Package 1       | PCE     |
| Number of Units in Package 1 | 1       |
| Package 1 Height             | 4.6 cm  |
| Package 1 Width              | 12.2 cm |
| Package 1 Length             | 16.2 cm |
| Package 1 Weight             | 224.0 g |
| Unit Type of Package 2       | S01     |
| Number of Units in Package 2 | 6       |
| Package 2 Height             | 15.0 cm |
| Package 2 Width              | 15.0 cm |
| Package 2 Length             | 40.0 cm |
| Package 2 Weight             | 1.6 kg  |

## Offer Sustainability

|                            |   |
|----------------------------|---|
| REACH Regulation           |  <a href="#">REACH Declaration</a>       |
| REACH free of SVHC         | Yes   |
| EU RoHS Directive          | Pro-active compliance (Product out of EU RoHS legal scope)  |
| Mercury free               | Yes   |
| China RoHS Regulation      |  <a href="#">China RoHS Declaration</a>  |
| RoHS exemption information |  <a href="#">Yes</a>                     |
| WEEE                       | The product must be disposed on European Union markets following specific waste collection and never end up in rubbish bins |
| PVC free                   | Yes   |

Dimensions

Screw Terminal

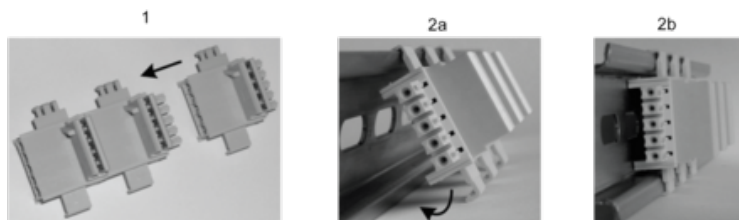


---

Mounting Safety Controller CPU with Module(s)

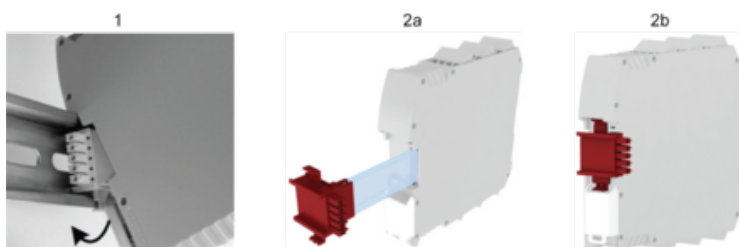
---

Mount BackPlane Connector on Rail



- 1 : Connect as much Backplane Connector as module to be install.
- 2 : Fix the connectors to the rail (Top first).

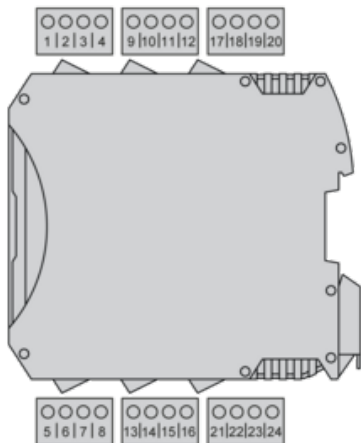
Mount Safety Controller CPU with Other Module(s)



- 1 : Mount controller CPU and modules on rail.
- 2 : Make sure that the controller CPU or the module(s) are plugged on the BackPlane connector.

Wiring

Terminal Designation



| Terminal | Signal        | Description             |
|----------|---------------|-------------------------|
| 1        | 24 VDC        | 24 VDC power supply     |
| 2        | NODE_ADDR0    | Node selection          |
| 3        | NODE_ADDR1    |                         |
| 4        | 0 VDC         | 0 Vdc power supply      |
| 5        | PROXY1_24V    | PROXIMITY 1 connections |
| 6        | PROXY1_REF    |                         |
| 7        | PROXY1_NO     |                         |
| 8        | PROXY1_NC     |                         |
| 9        | PROXY2_24V    | PROXIMITY 2 connections |
| 10       | PROXY2_REF    |                         |
| 11       | PROXY2_NO     |                         |
| 12       | PROXY2_NC     |                         |
| 13       | not connected | not connected           |
| 14       |               |                         |
| 15       |               |                         |
| 16       |               |                         |