



## Main

Range of product	Harmony Pocket Remote
Product or component type	Base station
Device short name	ZARB

## Complementary

Cable entry	Cable pre-wired
Material	ABS + PC
[Us] rated supply voltage	12...24 V DC
Provided equipment	Internal antenna
Number of relays	11
Relay type	Motion relay outputs with 11 C/O contact Auxiliary relay outputs
Maximum switching current	10 A
Maximum switching voltage	240 V AC (+/- 20 %)
Communication network type	Wireless
Maximum power consumption in VA	12 VA DC at 30 mA (maximum) active relays 24 VA DC at 20 mA (maximum) active relays
Transmission frequency	2.4 GHz
Maximum sensing distance	300 m in free field
Fixing mode	4 holes
Electrical durability	100000 cycles
Mechanical durability	10000000 cycles
Width	120 mm
Height	117 mm
Depth	51 mm
Net weight	0.40 kg

## Environment

IP degree of protection	IP66
Radio agreement	FCC IC
Relative humidity	0...97 %
Ambient air temperature for operation	-20...55 °C
Ambient air temperature for storage	-40...70 °C
Product certifications	CE

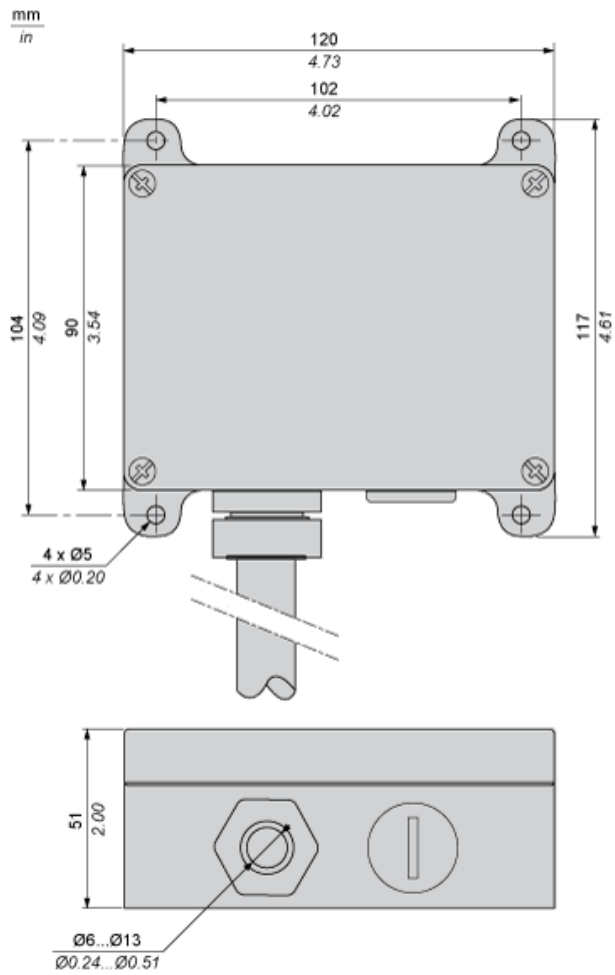
## Packing Units

Unit Type of Package 1	PCE
Number of Units in Package 1	1
Package 1 Height	7.500 cm
Package 1 Width	19.000 cm
Package 1 Length	22.500 cm
Package 1 Weight	995.000 g
Unit Type of Package 2	S03
Number of Units in Package 2	7
Package 2 Height	30.000 cm
Package 2 Width	30.000 cm
Package 2 Length	40.000 cm
Package 2 Weight	7.477 kg

## Offer Sustainability

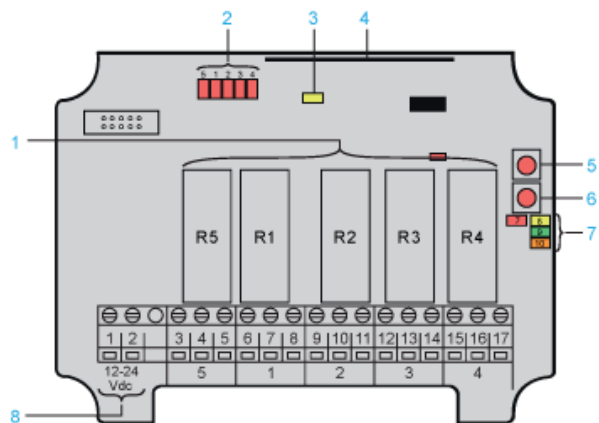
EU RoHS Directive	Pro-active compliance (Product out of EU RoHS legal scope)
Mercury free	Yes
China RoHS Regulation	 <a href="#">China RoHS Declaration</a>
RoHS exemption information	 Yes
WEEE	The product must be disposed on European Union markets following specific waste collection and never end up in rubbish bins

Receiver Dimensions

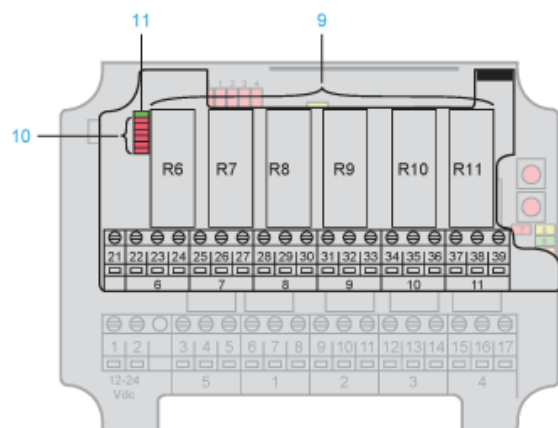


Receiver Wiring

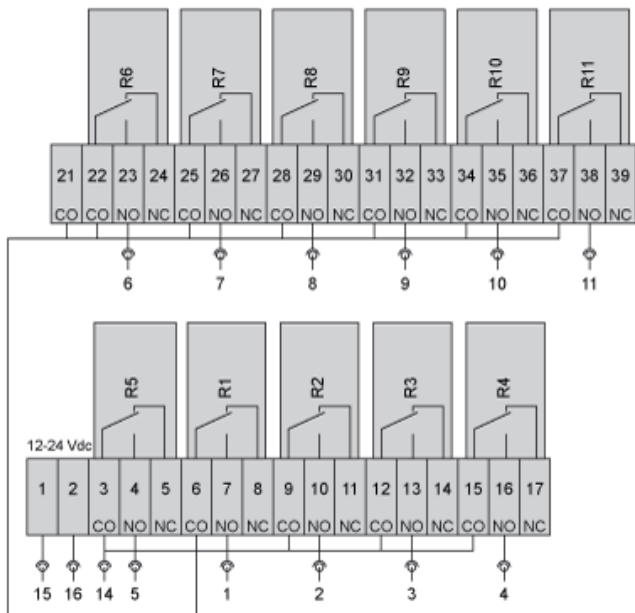
Bottom layer



Top layer



Part	Description
1	Relays R1...R5
2	Relays LEDs (red)
3	Power LED (yellow)
4	Radio module
5	Function button (cancel)
6	Select button (OK)
7	Function LEDs (7 = red, 8 = yellow, 9 = green, 10 = orange)
8	Terminal block for input power
9	Relays R6...R11
10	Relays LEDs (red)
11	Communication LED (green)



Signal	Cable no.
Power supply / +	15
Power supply / -	16
Relay R5	Common
Output (NO type)	5
Output (NC type)	-
Relay R1	Common
Output (NO type)	1
Output (NC type)	-
Relay R2	Common
Output (NO type)	2
Output (NC type)	-
Relay R3	Common
Output (NO type)	3
Output (NC type)	-
Relay R4	Common
Output (NO type)	4
Output (NC type)	-
Relay R6	Common
Output (NO type)	6
Output (NC type)	-
Relay R7	Common
Output (NO type)	7
Output (NC type)	-
Relay R8	Common
Output (NO type)	8
Output (NC type)	-
Relay R9	Common
Output (NO type)	9
Output (NC type)	-
Relay R10	Common
Output (NO type)	10

Signal		Cable no.
Output (NC type)	-	
Relay R11	Common	-
Output (NO type)	11	
Output (NC type)	-	