



Main

Range of product	Modicon Momentum automation platform
Product or component type	Discrete relay I/O base DC
Group of channels	1 group of 10 inputs 2 groups of 4 outputs
Discrete input number	10 conforming to IEC 1131-2 Type 1
Discrete input logic	Positive
Discrete input voltage	20...115 V AC
Discrete output number	8
Discrete output type	Relay normally open
Discrete output voltage	20...115 V DC
Protective treatment	TC

Complementary

[Us] rated supply voltage	24 V DC
Input voltage limits	- 3...30 V
Network frequency	47...63 Hz
Voltage state 0 guaranteed	-3...5 V
Voltage state 1 guaranteed	11...30 V
Current state 0 guaranteed	<= 1.2 mA
Current state 1 guaranteed	>= 2.5 mA
Input resistance	4 kOhm
Discrete output current	<= 0.15 mA 115 V inductive <= 0.5 mA 115 V resistive <= 1 mA 24 V inductive <= 2 mA 24 V resistive >= 0.005 A 24 V
Maximum leakage current	1 mA at 230 V (output circuit)
Mechanical durability	30000000 cycles
Electrical durability	100000 cycles inductive
Response time	10 ms 60 Hz from state 0 to state 1 on output 10 ms 60 Hz from state 1 to state 0 on output 2.2 ms from state 0 to state 1 on input 3.3 ms from state 1 to state 0 on input
Isolation between channels and bus	500 V AC
Power dissipation	5.5 W <= 8.5 W
Protection type	Without protection
Associated fuse rating	4 A fast blow input voltage 8 A slow-blow output voltage per group 375 mA fast blow operating voltage
Marking	CE

The information provided in this documentation contains general descriptions and/or technical characteristics of the performance of the products contained herein. This documentation is not intended as a substitute for and is not to be used for determining suitability or reliability of these products for specific user applications. It is the duty of any such user or integrator to perform the appropriate and complete risk analysis, evaluation and testing of the products with respect to the relevant specific application or use thereof. Neither Schneider Electric Industries SAS nor any of its affiliates or subsidiaries shall be responsible or liable for misuse of the information contained herein.

Terminals description PLC n°1	(1L+)PW_POS (3)IN_DIS#3 (9)IN_DIS#9 (1)IN_DIS#1 (8)IN_DIS#8 (6)IN_DIS#6 (2)IN_DIS#2 (7)IN_DIS#7 (4)IN_DIS#4 (L+)PW_POS (10)IN_DIS#10 (5)IN_DIS#5 (M-)PW_NEG TB
Terminals description PLC n°2	(6)OUT_DIS#6 (2L1)PW (2)OUT_DIS#2 TB_1 (8)OUT_DIS#8 (7)OUT_DIS#7 (1L+)PW (4)OUT_DIS#4 (5)OUT_DIS#5 (1)OUT_DIS#1 (3)OUT_DIS#3
Current consumption	250 mA at 24 V DC
Depth	47.5 mm
Height	141.5 mm
Width	125 mm
Net weight	0.26 kg

Environment

Product certifications	UL CSA
Resistance to electrostatic discharge	4 kV contact conforming to IEC 801-2 8 kV on air conforming to IEC 801-2
Resistance to electromagnetic fields	10 V/m 80...1000 MHz conforming to IEC 801-3
Ambient air temperature for operation	0...60 °C
Ambient air temperature for storage	-40...85 °C
Relative humidity	95 % without condensation
Operating altitude	<= 5000 m

Packing Units

Unit Type of Package 1	PCE
Number of Units in Package 1	1
Package 1 Weight	514 g
Package 1 Height	9 cm
Package 1 width	18 cm
Package 1 Length	26 cm
Unit Type of Package 2	S03
Number of Units in Package 2	6
Package 2 Weight	3.615 kg
Package 2 Height	30 cm
Package 2 width	30 cm
Package 2 Length	40 cm

Offer Sustainability

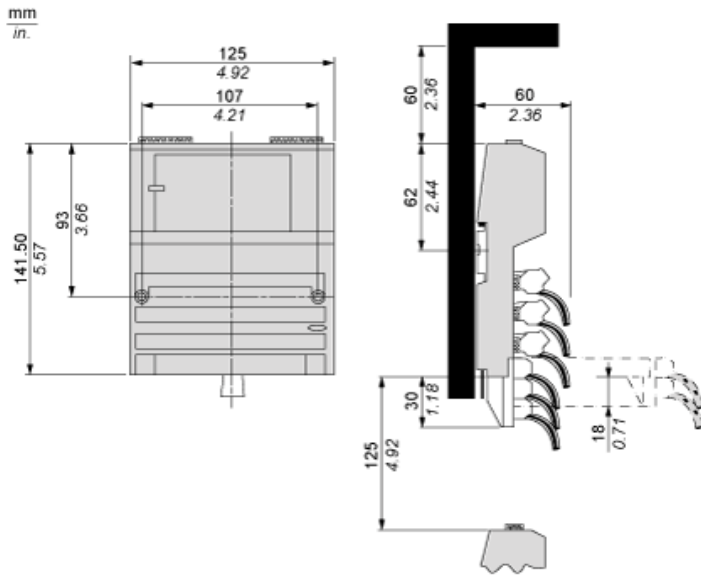
Sustainable offer status	Green Premium product
REACH Regulation	REACH Declaration
EU RoHS Directive	Pro-active compliance (Product out of EU RoHS legal scope) EU RoHS Declaration
Mercury free	Yes
RoHS exemption information	Yes
China RoHS Regulation	China RoHS Declaration
Environmental Disclosure	Product Environmental Profile
Circularity Profile	End Of Life Information
WEEE	The product must be disposed on European Union markets following specific waste collection and never end up in rubbish bins

Contractual warranty

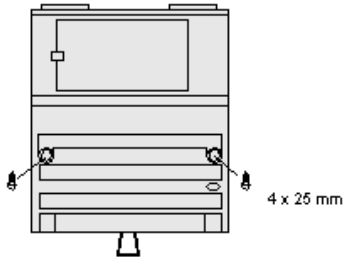
Warranty	18 months
----------	-----------

Standard Adapter on a Typical Base

Dimensions

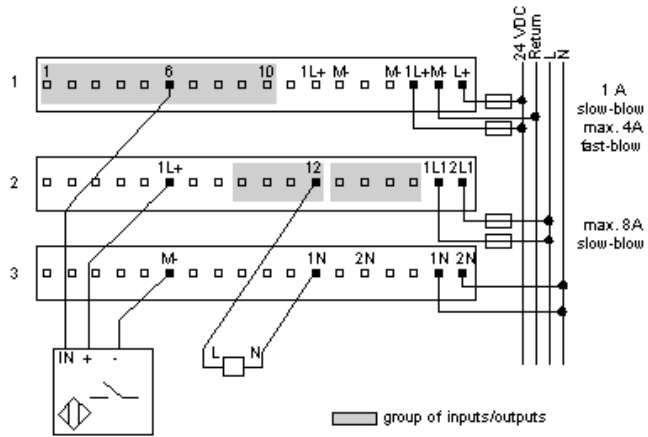


Mounting on a Wall

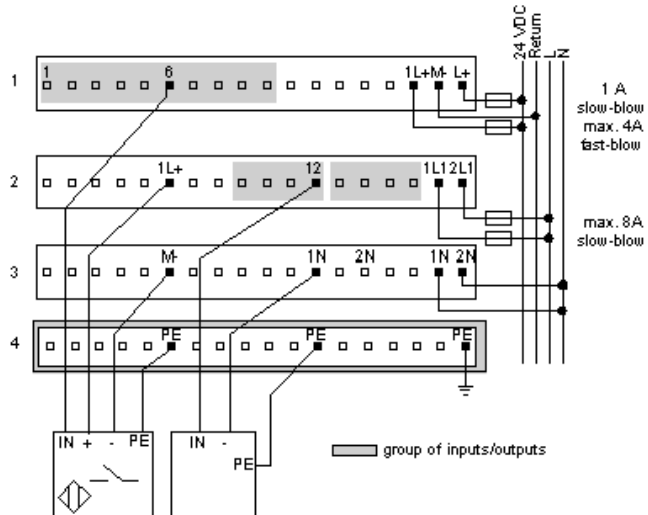


External Wiring Diagrams

3-Wire Sensor with a 2-Wire Actuator



4-Wire Sensor with a 3-Wire Actuator



Internal Pin Connections

Rows 1 through 3 show the internal connections between terminals on the I/O base. Row 4 shows the internal connections on the optional busbar.

