



### Main

Range of product	Modicon STB distributed I/O solution
Product or component type	Standard analog input kit
Kit composition	STBACI1230 module STBXBA1000 base STBXTS2100, 6-terminal spring clamp connector STBXTS1100, 6-terminal screw type connector
Analogue input type	Current 0...20 mA
Analogue input number	2
Analogue input resolution	12 bits
Type of filter	Single low pass input filter 25 Hz

### Complementary

Absolute maximum input	25 mA/50 V DC
Response time	5 ms
Cold swapping	Yes
Hot swapping fallback	Yes for standard NIMs
Fallback status	State 0 basic NIMs User configurable standard NIMs
Data format	EN 61131-2 IEC 61131-2
Update time	10 ms
Integral linearity	+/- 0.1 %FS
Differential linearity	Monotonic
Input impedance	<= 300 Ohm
Maximum supply current for sensors	100 mA per input channels
Protection type	Short-circuit protection
Absolute accuracy error	+/- 0.5 % of full scale 25 °C
Temperature drift	+/-0.01 %/°C
Insulation between channels and logic bus	1500 V for 1 minute
Insulation between channels and sensor bus	30 V
Addressing requirement	4 input words
Product compatibility	Power distribution module STBPDT3100/3105 Mounting base STBXBA1000
[Us] rated supply voltage	24 V DC
Supply	Power distribution module
Current consumption	30 mA at 5 V DC for logic bus
Marking	CE
Overvoltage category	II
Status LED	1 LED (green)module status (RDY) 1 LED (red)module error (ERR)
Depth	70 mm
Height	13.9 mm
Width	128.3 mm
Net weight	0.116 kg

## Environment

Product certifications	C-Tick UL CSA FM Class 1 Division 2 ATEX Cat 3G
Pollution degree	2 conforming to IEC 60664-1
Operating altitude	<= 2000 m
IP degree of protection	IP20 conforming to EN 61131-2 class 1
Ambient air temperature for operation	-25...70 °C
Ambient air temperature for operation	32...140 °F without derating
Ambient air temperature for storage	-40...85 °C without derating
Ambient air temperature for storage	-40...185 °F without derating
Relative humidity	95 % at 60 °C without condensation
Vibration resistance	+/-0.35 mm at 10...58 Hz 3 gn at 58...150 Hz on 35 x 7.5 mm symmetrical DIN rail 5 gn at 58...150 Hz on 35 x 15 mm symmetrical DIN rail
Shock resistance	30 gn for 11 ms conforming to IEC 88 reference 2-27

## Packing Units

Package 1 Weight	0.137 kg
Package 1 Height	27.000 mm
Package 1 width	80.000 mm
Package 1 Length	130.000 mm

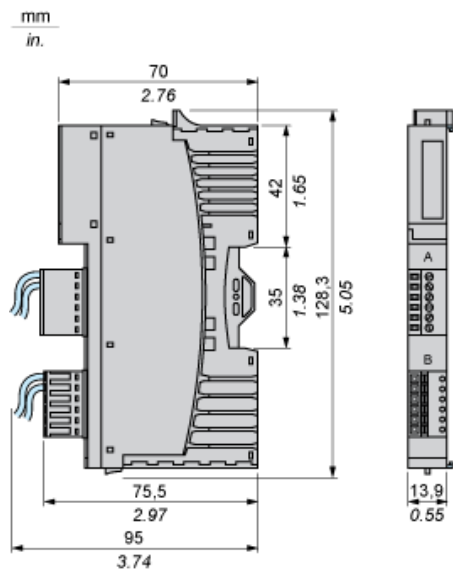
## Offer Sustainability

Sustainable offer status	Green Premium product
REACH Regulation	<a href="#">REACH Declaration</a>
EU RoHS Directive	Pro-active compliance (Product out of EU RoHS legal scope) <a href="#">EU RoHS Declaration</a>
Mercury free	Yes
RoHS exemption information	<a href="#">Yes</a>
China RoHS Regulation	<a href="#">China RoHS Declaration</a>
Environmental Disclosure	<a href="#">Product Environmental Profile</a>
Circularity Profile	<a href="#">End Of Life Information</a>
WEEE	The product must be disposed on European Union markets following specific waste collection and never end up in rubbish bins

## Contractual warranty

Warranty	18 months
----------	-----------

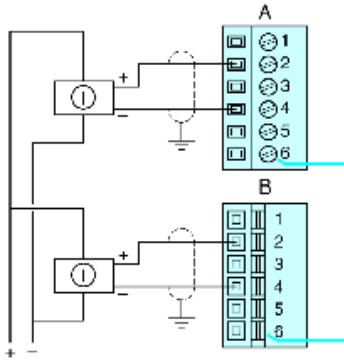
## Dimensions



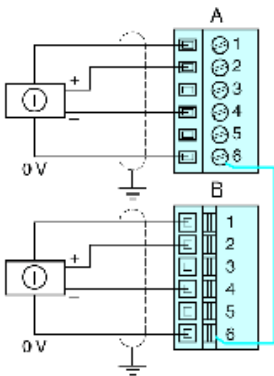
## Wiring Diagrams

### Examples

2 isolated analog sensors, external 24 VDC power supply



2 non-isolated analog sensors, 24 VDC supplied by the PDM



Pin	Top Connections	Bottom Connections
1	+24 VDC from field power bus for field device accessories	+24 VDC from field power bus for field device accessories
2	input from sensor 1	input from sensor 2
3	no connection	no connection
4	analog input return	analog input return
5	no connection	no connection
6	field power return (to the module)	field power return (to the module)